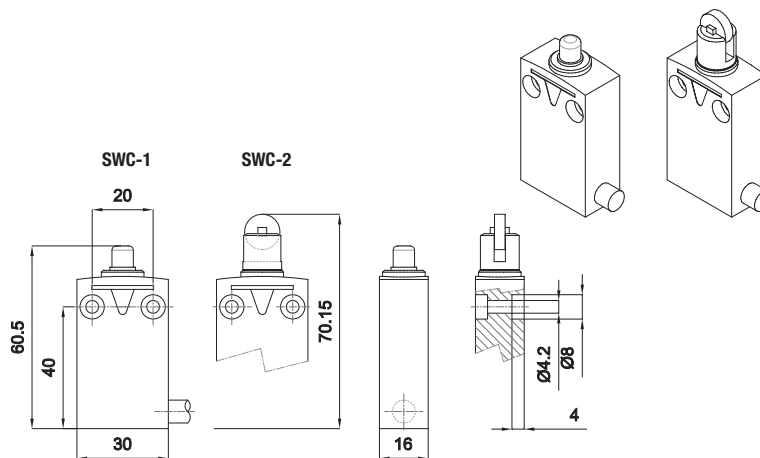


FINECORSA
LIMIT SWITCH
ENDSCHALTER

SWC-1 / 2



CARATTERISTICHE	CHARACTERISTICS	EIGENSCHAFTEN	SWC-1	SWC-2
Tensione	Voltage	Spannung	240V	240V
Corrente	Current	Strom	5A	5A
Contatti	Contacts	Anschluss	1NO / 1NC	1NO / 1NC
Protezione	Protection	Sicherung	IP67	IP66
Poli	Poles	Pole	2	2
Temp. Max:	Temp. Max:	Temp. Max:	70°C	70°C
Temp. Min:	Temp. Min:	Temp. Min:	-25°C	-25°C