

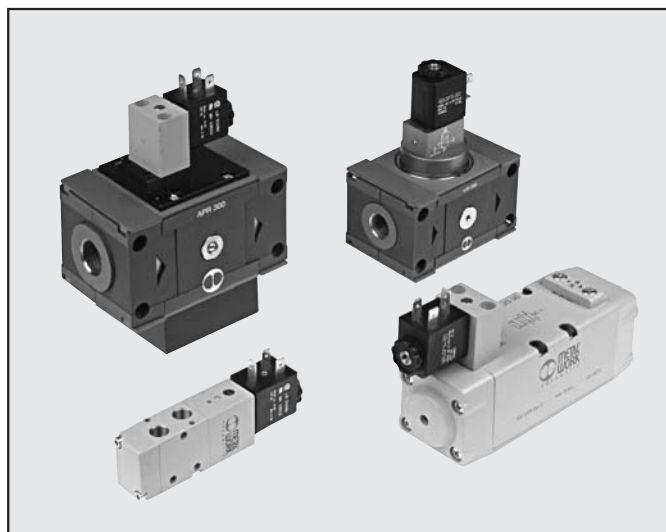


AIR TREATMENT VALVES AND UNITS FOR UL- AND CSA-APPROVED COILS

The following air treatment valves and units come in a version for use with UL- and CSA-approved coils.

- Series 70 valves, sizes 1/8", 1/4" and 1/2"
- Series 70 valves on base
- Namur valves
- ISO 5599/1 valves, sizes 1 and 2
- ISO 5599/1 valves with in-line pilot
- Skillair® VAP, APR and V3V

UL certification refers to the coil system and pilot; CSA certification refers to the coil only.



NOTES

UL is an independent organisation involved in the safety certification of products for the North American market. Coils and solenoid pilots are certified under UL 429 - Electrically operated valves.

The UR mark concerns UL-recognised components and is used for ones that are part of a larger product or system. This is why UR can be read on the coil. The certification of these components is only valid if they are used in the manufacturer's stated conditions (in our case voltage $\pm 10\%$ etc.).

The company that manufactures the certified components is included in a UL-listing of certified manufacturers. The list does not include the name Metal Work, but rather the name Nass Magnet (UL file: MH13513), with which we have an agreement for the supply and customisation of coils and solenoid valves.

The use of approved coils and pilots does not automatically certify the whole valve or unit, nor application of a specific machine or plant. Such approval will therefore be up to the manufacturer of the machine or plant.

CSA (Canadian Standard Association) safety standards are applicable in Canada. The coil complies with CSA 22.2.

The valves and units on which these coils can be mounted have the same code and description as those of the corresponding standard valves, followed by the suffix "L".

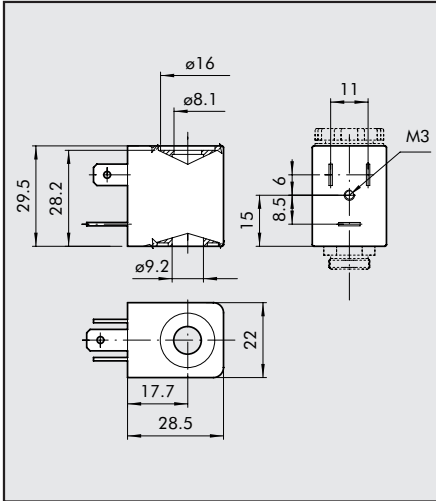
Example:

	STANDARD VERSION	APPROVED VERSION
Code	7020020400	7020020400 L
Description	SOV 33 SOS NO	SOV 33 SOS NO L

All valves and units of this type have a painted or anodized aluminium control and can only mount Metal Work coils having a code that begins with **W0217** (approved coil).

For the technical data, a diagram of the components and the code key, please refer to the section in the catalogue of the corresponding family of standard valves or units.

UL AND CSA COILS



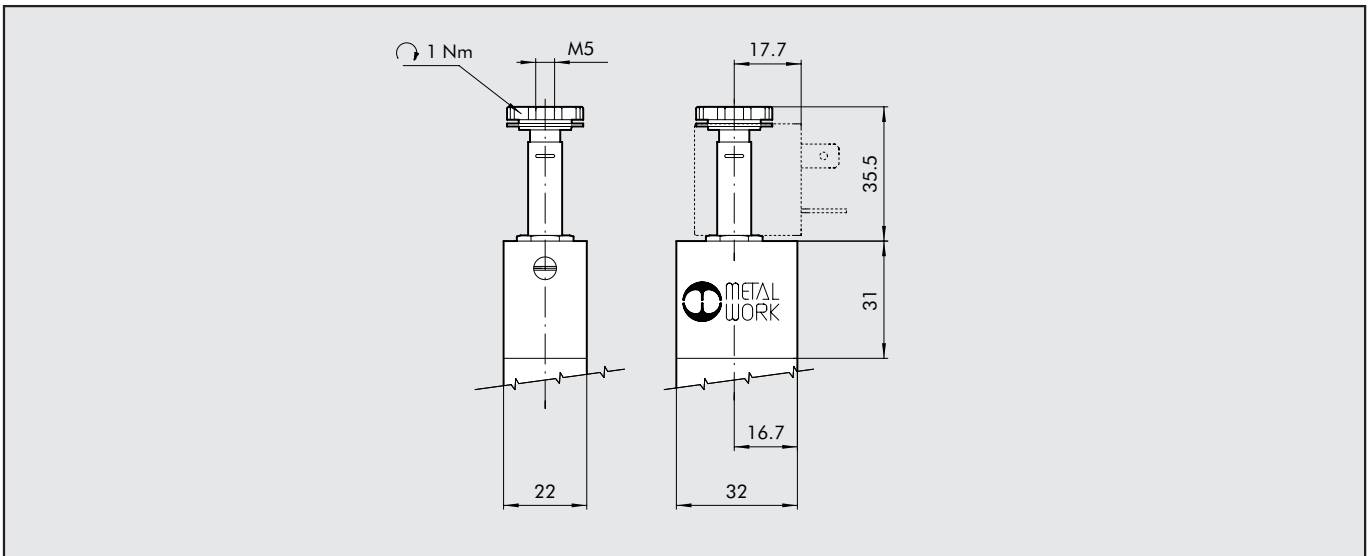
- Voltage tolerance: $\pm 10\%$
- Insulation class: F155
- Degree of protection: IP65 EN60529 with connector
- Avoid prolonged exposure to the atmospheric agents
- Temperature range:
 - from $+20^{\circ}\text{C}$ at $+50^{\circ}\text{C}$ (DC version)
 - from $+20^{\circ}\text{C}$ at $+40^{\circ}\text{C}$ (AC version)
 - from $+58^{\circ}\text{C}$ at $+20^{\circ}\text{C}$ (DC version)
 - from $+81^{\circ}\text{C}$ at $+20^{\circ}\text{C}$ (AC version)
- Max coil temperature at ED 100%:

Nominal voltage	Absorption	Abbrev.	Code
12Vcc	2.9 W	Bobina 22 Ø9 2,9W 12VDC UR	W0217000151
24Vcc	2.6 W	Bobina 22 Ø9 2,6W 24VDC UR	W0217000101
24V 50Hz	6VA	Bobina 22 Ø9 6/4.9 VA 24V 50/60Hz UR	W0217000111
24V 60Hz	4.9VA		
110V 50Hz	6 VA	Bobina 22 Ø9 6/4.9 VA 110V 50/60Hz UR	W0217000121
110V 60 HZ	4.9 VA		
48 Vcc	2.7 VA		
230V 50Hz	6 VA	Bobina 22 Ø9 6/4.9 VA 230V 50/60Hz UR	W0217000131
230V 60HZ	4.9 VA		





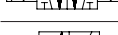
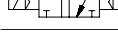
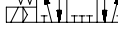

UR-marked coils are therefore components that can form part of a larger product of system. **Approval of the component is valid in the above operating conditions only.**

The coils must be mounted on suitable air treatment valves or units, ones for which the Metal Work code ends with L.





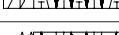
ELECTROPNEUMATIC CONTROL FOR: SERIES 70 VALVES 1/8", SERIES 70 VALVES ON BASE, SKILLAIR® 100 VAP



SERIES 70 VALVES 1/8"

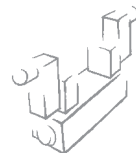
Symbol	Abbrev.	Codice	Weight [g]
	SOV 23 SOS NO L	7010020400L	130
	SOV 23 SOS NC L	7010020200L	130
	SOV 25 SOS OO L	7010021100L	158
	SOV 25 SOB OO L	7010021200L	220
	SOV 23 SOB OO L	7010020100L	195
	SOV 26 SOS CC L	7010022100L	250
	SOV 26 SOS OC L	7010022200L	250
	SOV 26 SOS PC L	7010022300L	250

SERIES 70 VALVES ON BASE

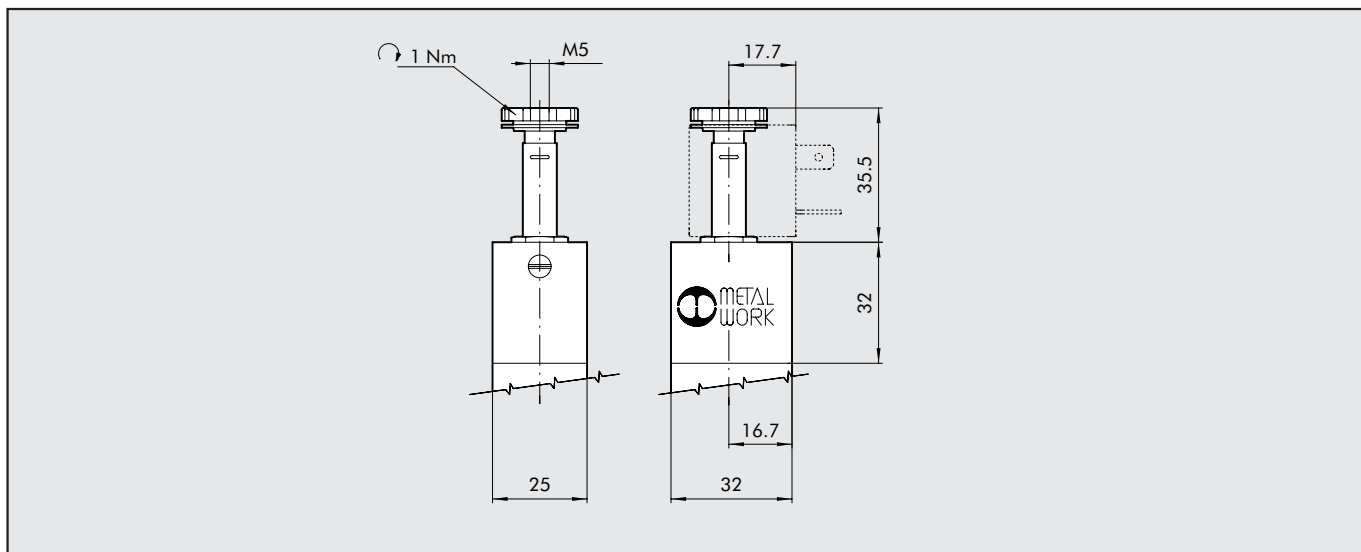
Symbol	Abbrev.	Code	Weight [g]
	SOV B5 SOS OO L	7011021100L	172
	SOV B5 SOB OO L	7011021200L	234
	SOV B6 SOS CC L	7011022100L	264
	SOV B6 SOS OC L	7011022200L	264
	SOV B6 SOS PC L	7011022300L	264

SKILLAIR® 100 VAP

Description	Code
VAP 100 ELPN WITHOUT END PLATES L	3271600AL
VAP 100 1/4 ELPN L	3271600L
VAP 100 3/8 ELPN L	3371600L



ELECTROPNEUMATIC CONTROL FOR: SERIES 70 VALVES 1/4", NAMUR VALVES, SKILLAIR® 100 APR, SKILLAIR® 100 V3V



SERIES 70 VALVES 1/4"

Symbol	Abbrev.	Code	Weight [g]
	SOV 33 SOS NO L	7020020400L	197
	SOV 33 SOS NC L	7020020200L	197
	SOV 35 SOS OO L	7020021100L	245
	SOV 35 SOB OO L	7020021200L	326
	SOV 33 SOB OO L	7020020100L	280
	SOV 36 SOS CC L	7020022100L	364
	SOV 36 SOS OC L	7020022200L	364
	SOV 36 SOS PC L	7020022300L	364

VALVES NAMUR

Symbol	Abbrev.	Code	Weight [g]
	SOV A5 SOS OO L	7021020100L	280
	SOV A5 SOB OO L	7021020200L	360

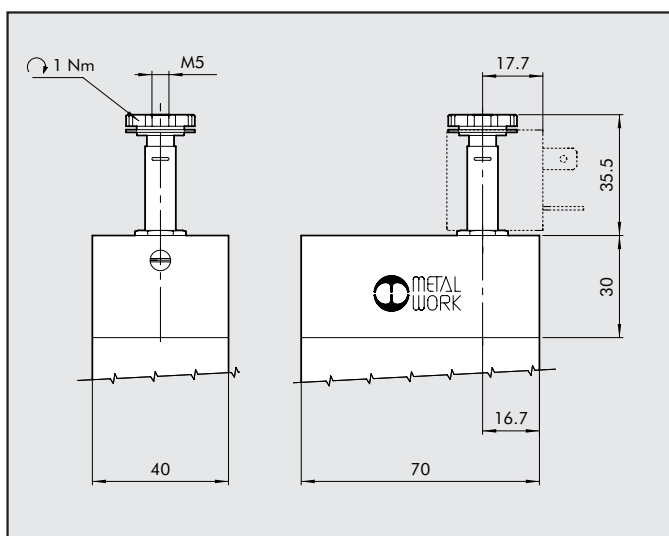
SKILLAIR® 100 APR

Description	Code
APR 100 ELPN WITHOUT END PLATES L	3267051AL
APR 100 ELPN 1/4 L	3267051L
APR 100 ELPN 3/8 L	3367051L

SKILLAIR® 100 V3V

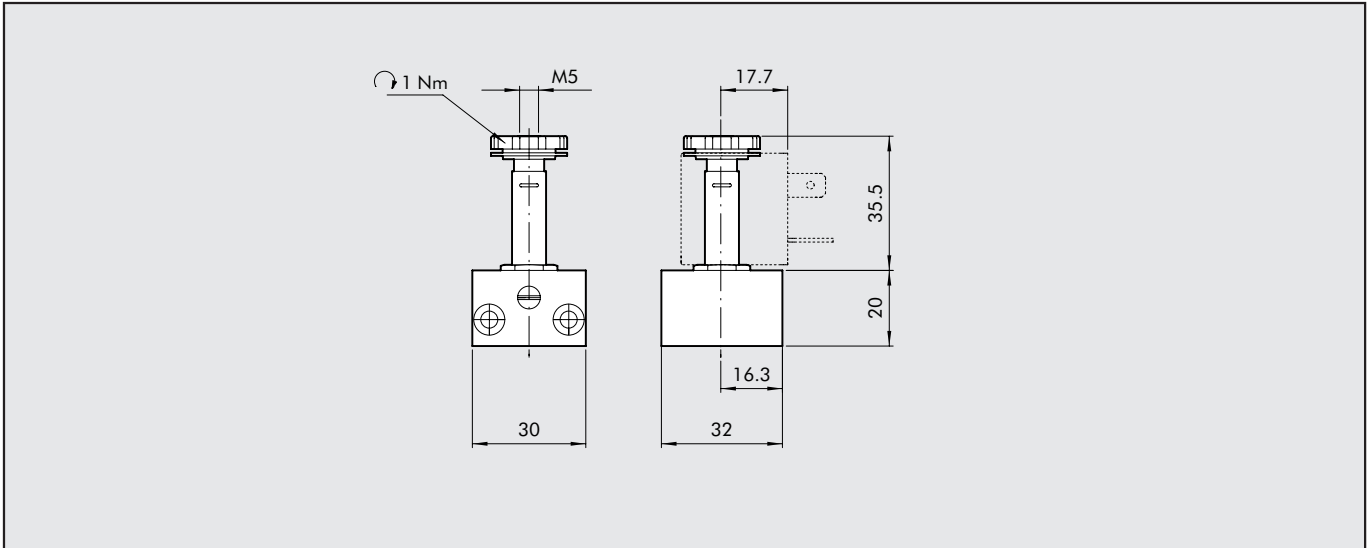
Description	Code
V3V 100 ELPN WITHOUT END PLATES L	3269001AL
V3V 100 ELPN 1/4 L	3269001L
V3V 100 ELPN 3/8 L	3369001L

ELECTROPNEUMATIC CONTROL FOR: SERIES 70 VALVES 1/2"



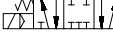

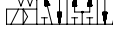


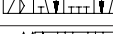
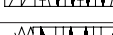



Symbol	Abbrev.	Code	Weight [g]
	SOV 43 SOS NO L	7030020400L	930
	SOV 43 SOS NC L	7030020200L	930
	SOV 45 SOS OO L	7030021100L	1120
	SOV 45 SOB OO L	7030021200L	1140
	SOV 43 SOB OO L	7030020100L	955
	SOV 46 SOS CC L	7030022100L	1265
	SOV 46 SOS OC L	7030022200L	1265
	SOV 46 SOS PC L	7030022300L	1265

ELECTROPNEUMATIC CONTROL FOR: ISO 5599/1 VALVES, V3V and APR SKILLAIR® 200 CNOMO, V3V and APR SKILLAIR® 300, V3V SKILLAIR® 400 CNOMO, APR SKILLAIR® 400



ISO 5599/1 VALVES

Symbol	Abbrev.	Code	Weight [g]
ISO 1	 ISV 55 SOS OO L	7051021100L	374
	 ISV 55 SOB OO L	7051021200L	448
	 ISV 56 SOS CC L	7051022100L	432
	 ISV 56 SOS OC L	7051022200L	432
	 ISV 56 SOS PC L	7051022300L	432
ISO 2	 ISV 65 SOS OO L	7052021100L	745
	 ISV 65 SOB OO L	7052021200L	800
	 ISV 66 SOS CC L	7052022100L	780
	 ISV 66 SOS OC L	7052022200L	780
	 ISV 66 SOS PC L	7052022300L	780

- Overall length of monostable valves 5/2 (included solenoid pilot): add 2 mm to the length of the corresponding standard ones.
- Overall length of bistable valves 5/2 and monostable valves 5/3 (included solenoid pilot): add 4 mm to the length of the corresponding standard ones.

CNOMO SOLENOID VALVE

Description	Code
CNOMO 3/2 CON COMANDO MAN.BISTABILE	9453922L

SKILLAIR® 200 V3V CNOMO

Description	Code
V3V 200 ELPN CNOMO WITHOUT END PLATES L	3469004AL
V3V 200 ELPN CNOMO 1/4 L	3469004L
V3V 200 ELPN CNOMO 3/8 L	3569004L
V3V 200 ELPN CNOMO 1/2 L	3669004L

APR SKILLAIR® 200 CNOMO

Description	Code
APR 200 ELPN CNOMO WITHOUT END PLATES L	3471004AL
APR 200 ELPN CNOMO 1/4 L	3471004L
APR 200 ELPN CNOMO 3/8 L	3571004L
APR 200 ELPN CNOMO 1/2 L	3671004L

SKILLAIR® 300 V3V CNOMO

Description	Code
V3V 300 ELPN CNOMO WITHOUT END PLATES L	4469004AL
V3V 300 ELPN CNOMO 1/2 L	4469004L
V3V 300 ELPN CNOMO 3/4 L	4569004L
V3V 300 ELPN CNOMO 1 L	4669004L

SKILLAIR® 300 APR CNOMO

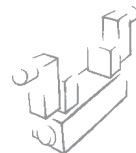
Description	Code
APR 300 ELPN CNOMO WITHOUT END PLATES L	4471901AL
APR 300 ELPN CNOMO 1/2 L	4471901L
APR 300 ELPN CNOMO 3/4 L	4571901L
APR 300 ELPN CNOMO 1 L	4671901L

APR SKILLAIR® 400

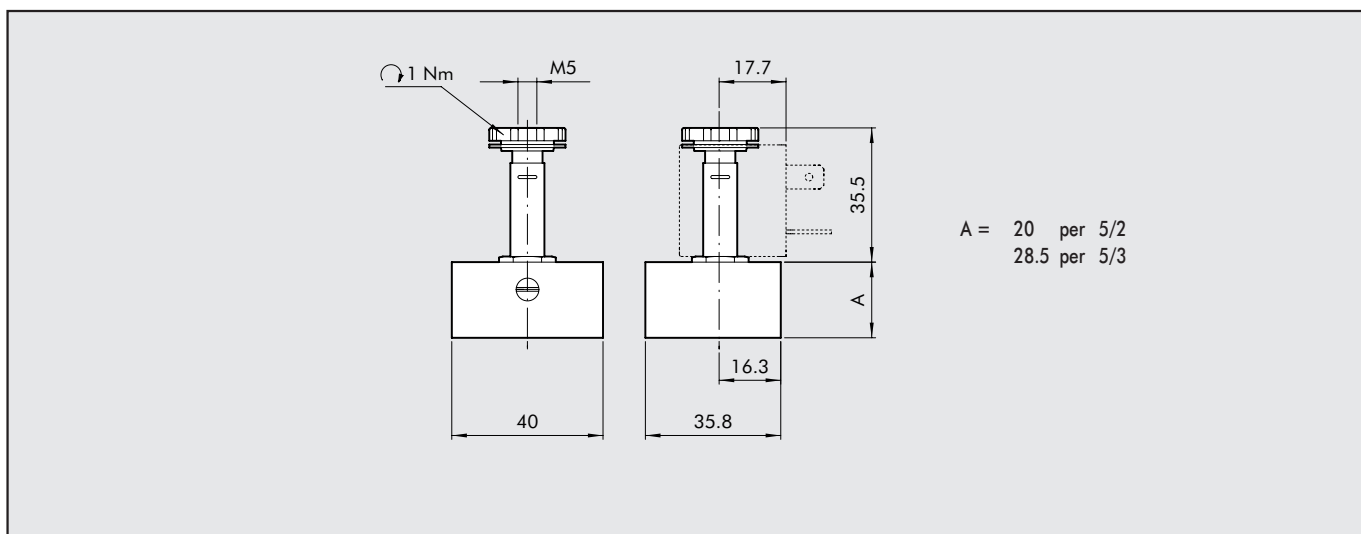
Description	Code
APR 400 ELPN WITHOUT END PLATES L	6171003AL
APR 400 ELPN 1 L	6171003L
APR 400 ELPN 1 1/4 L	6271003L
APR 400 ELPN 1 1/2 L	6371003L
APR 400 ELPN 2 L	6471003L

SKILLAIR® 400 V3V CNOMO

Description	Code
V3V 400 ELPN CNOMO WITHOUT END PLATES L	6169004AL
V3V 400 ELPN CNOMO 1 L	6169004L
V3V 400 ELPN CNOMO 1 1/4 L	6269004L
V3V 400 ELPN CNOMO 1 1/2 L	6369004L
V3V 400 ELPN CNOMO 2 L	6469004L



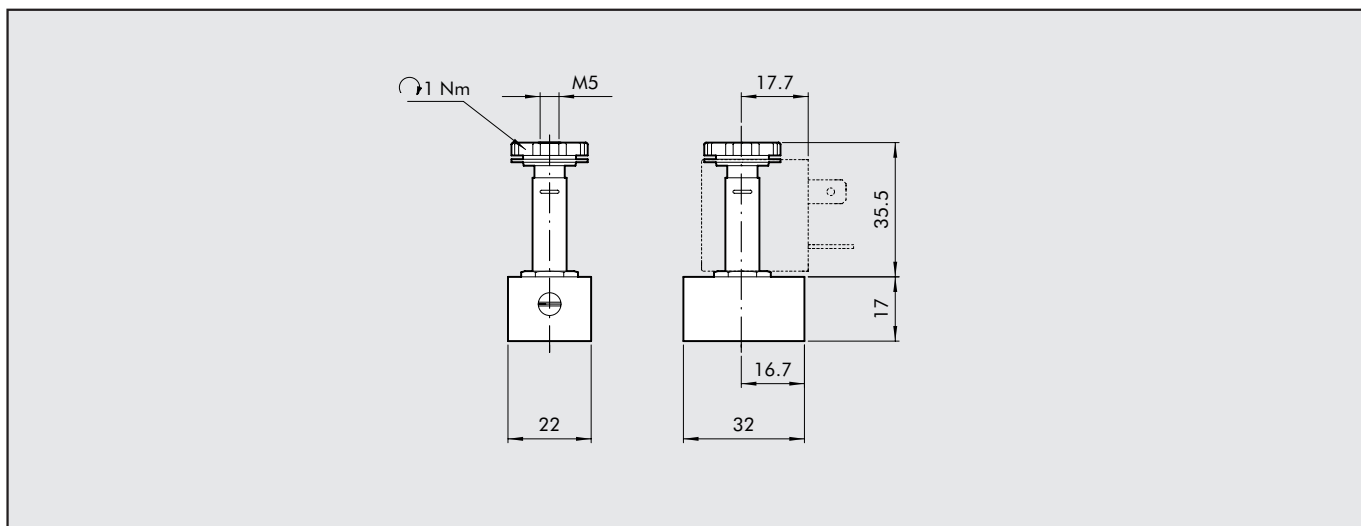
ELECTROPNEUMATIC CONTROL FOR: VALVES ISO 5599/1 WITH IN-LINE SOLENOID PILOT



Symbol	Abbrev.	Code	Weight [g]
	ISV 55 DOS OO L	7053021100L	396
	ISV 55 DOB OO L	7053021200L	450
	ISV 56 DOS CC L	7053022100L	516

Symbol	Abbrev.	Code	Weight [g]
	ISV 56 DOS OC L	7053022200L	516
	ISV 56 DOS PC L	7053022300L	516

ELECTROPNEUMATIC CONTROL FOR: SKILLAIR® 200 APR, SKILLAIR® 200 V3V



SKILLAIR® 200 APR

Description	Code
APR 200 ELPN WITHOUT END PLATES L	3471001AL
APR 200 ELPN 1/4 L	3471001L
APR 200 ELPN 3/8 L	3571001L
APR 200 ELPN 1/2 L	3671001L

SKILLAIR® 200 V3V

Description	Code
V3V 200 ELPN WITHOUT END PLATES L	3469001AL
V3V 200 ELPN 1/4 L	3469001L
V3V 200 ELPN 3/8 L	3569001L
V3V 200 ELPN 1/2 L	3669001L