

HONSEL battery riveters



Battery riveter

MADE IN GERMANY

Fast maintenance.
Comprehensive service.

Process monitoring available

Extensive range of **special accessories available from stock**

Complete private label solutions

Original HONSEL spare parts

Automation integration

Individual adaptations are possible.

We believe in battery riveting technology.

The focus of our work for more than 10 years has been on the development of the latest cordless riveting tools for professional use. **The entire process lies in the hands of HONSEL: From the design, optimised down to the last detail, to the programming of the electronics and assembly at our site in Neumünster.**

The extensive range of standard tools as well as the individual special solutions for industry or development partners are based on the highest technical standards and the know-how from more than 30 years in the processing of blind rivet elements.

New from 2023: HONSEL is a member of the new cross-brand battery alliance **AMPShare – powered by BOSCH**, thus guaranteeing worldwide battery availability and state-of-the-art technology.

Made by HONSEL.



HONSEL battery riveters

Rivdom eBZ ZERO

Extremely small and light.

For blind rivets up to 4.0 mm.
▶ page 40



Rivdom eBZ 1

Compact with unrivalled speed.



Powered by  BOSCH

For blind rivets up to 5.0 mm.
▶ page 44



Rivsmart eBZ ZERO S

Innovative and intelligent.

For blind rivets up to 4.0 mm.
▶ page 64
Detailed information on the process monitoring options. ▶ page 104



Rivdom ONE

The reliable basis.

For blind rivets up to 5.0 mm.
▶ page 60



Rivdom eBZ 2 FERRO

Powerful

For blind rivets from 4.8 to 6.4 mm.
Optimised for high-strength blind rivets! ▶ page 52



Rivdom eBZ 3

MAXIMUM POWER

For high-strength blind rivets with grooved stud up to 8.0 mm diameter. ▶ page 54



Rivdom eBZ SF

Specialists

With adapter systems for clamping mechanisms from other suppliers.
▶ page 58



Rivdom eVNG 2

Uncompromising.
Universal.
Perfect.



Powered by  BOSCH

For blind rivet nuts and bolts!
▶ page 68



HONSEL battery riveters



Powered by



Battery riveter

Power for professionals: AMPShare is the shared battery system that allows you to use a wide range of tools from several professional brands with just one battery – thanks to the leading battery technology of Bosch Professional.

With innovative cordless devices “Made in Germany” for the professional user.

Our battery tools offer the power of a pneumatic riveter, only more compact, more flexible and without trailing hoses. At the same time, new standards are constantly being defined on the market through continuous development.

Compatible since 2008: All Bosch Professional 18V/AMPShare Systems batteries can be used with new and existing Bosch Professional tools of the same voltage class.

Enormous benefit for the user: All Bosch Professional batteries purchased since 2008 – that’s more than 80 million batteries – remain compatible. They can continue to be used in all Bosch professional tools – and in future also in all tools from the AmpShare alliance.



eBZ1

eVNG2



**BOSCH AMPShare battery
GBA 18V 2,0 AH**

COOLPACK 1.0 improves the heat dissipation of the battery from the inside to the outside for a longer service life and operating time.
400 g



**BOSCH AMPShare battery
PROCORE 18V 4,0 AH**

Optimised size, minimum weight and new cell technology. 135 % longer service life than standard batteries thanks to the COOLPACK 2.0 technology.
520 g



**BOSCH AMPShare Charger
GAL 18V-40 Professional**

Charging time GBA 18V 2.0 Ah
80 % – 24 min | 100 % – 35 min

Charging time PROCORE 18V 4.0 Ah
80 % – 48 min | 100 % – 65 min

Innovative battery technology



Future-oriented battery management

RivdomPLUS charging technology – the proven energy supplier for HONSEL battery riveters for years. **Still available** in the future and the standard for many tools in the family.

The powerful HONSEL Li ion 2.0 Ah batteries are fully charged in less than 30 minutes. A 90 % charge is already reached after approx. 20 minutes!

The charging cycle is thus always shorter than the consumed working time!

All RivdomPLUS batteries have a **visual state-of-charge indicator** and are characterised by a sturdy, lightweight design and long service life.

For industrial users we have practical multiple charging stations with interchangeable adapter system – suitable for RivdomPLUS batteries and AMPShare – Powered by BOSCH. Adapters for other manufacturers' batteries on request.



eBZ ZERO
eBZ ZERO S



eBZ 2
eBZ 3



RivdomONE



RivdomPLUS 2.0 Ah batteries

The HONSEL standard battery matched to the respective tool as 12 V (236 g), 16 V (341 g) or 20 V version (365 g).



RivdomPLUS 4.0 Ah batteries

Available as an accessory – the powerful RivdomPLUS version for even longer working cycles. Available as a 12 V (258 g), 16 V (549 g) or 20 V (633 g) version.



RivdomPLUS quick charger

With automatic identification of the battery used. 12 V, 16 V and 20 V batteries from the Rivdom family can be charged using the same charger.

HONSEL battery riveters

HONSEL battery riveters of the eBZ and eVNG generation all come with a wide range of features and functions.

Look for the configuration details on the individual tools! There you will also find the right spare parts and useful accessories.



Private Label

Use HONSEL quality tools completely in your company's design. **Impress your customers with your "own" tool**, boost your sales and increase customer loyalty to your brand.

With a private label product you get your tools in your house colours, with your logo and your name, also with labels (if necessary) and an individual packaging design and operating manual.

We can provide professional support here. Experienced **project planning and design** to your specifications, **sampling**, long-term **delivery plans** and, on request, the handling of **service and maintenance** make work easy for you.

Battery riveter



Maximum comfort

thanks to rotation trigger with very low trigger force and short trigger stroke.

L-BOXX®

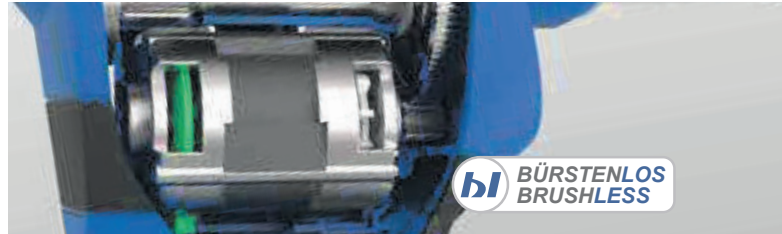
The innovative system packaging

Compatible with all L-Boxxes from other manufacturers.



Outstanding ergonomics

Rubberised universal handle for all hand sizes. Perfect housing geometry.



State-of-the-art motor technology

Practically all HONSEL battery riveters* have modern brushless DC (BLDC) motors developed in-house. They guarantee a practically wear-free, very long life cycle. Low current consumption and reduced heat development increase the battery life and efficiency.

Individual return setting

Saves time. Less wear. Process reliability.

When using **manual return mode**, the trigger has to remain pressed until the rivet is sheared. When the trigger is released, the tool moves back to the front starting position.

In addition, Rivdom and RivSmart eBZ tools offer an **automatic return mode**. Here the trigger merely has to be pressed slightly to start the automatic rivet setting process. After the drop in the measured force with the shearing of the rivet mandrel, the tool moves back automatically to the starting position to keep the riveting cycle as short as possible.

(not for RivdomONE)



Safety

thanks to integrated stud holder

Always at hand.

Practical belt clip



S

Sturdy, transparent mandrel container
Different sizes as options



L



L+



XL+



At a glance

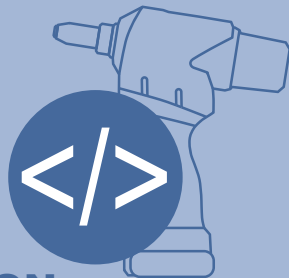
LED-illuminated riveting point



Practical

Hanger bracket for balancer

Battery riveter



SELFPROTECTION

The specially developed software provides reliable protection against overloading during the setting process or when returning to the starting position and thus prolongs the service life of the tools.



Quick-release mechanism

No more than one open-jaw wrench for maintenance!

Tidy.

Plastic box for nose pieces and threaded mandrels.

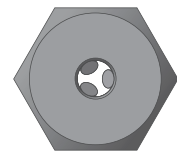


HONSEL battery riveters



Pulse technology

The pretension of the HONSEL retention nose pieces ensures that sheared rivet mandrels are “automatically” pushed into the mandrel container by the following mandrel – **tilting of the tool is therefore not necessary**, the riveting process is accelerated and the elimination of the tilting movement relieves the user.

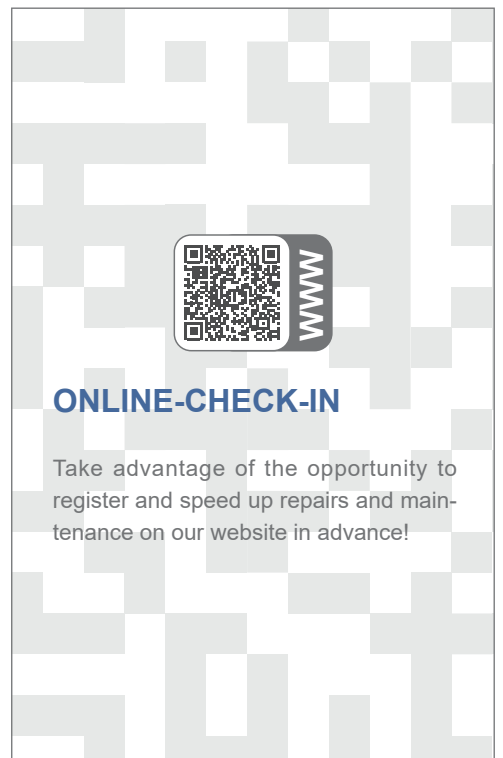


Battery riveter



Retention nose pieces

Retention nose pieces available as options ensure that the rivet **does not fall out of the tool** before the setting process even when working in a vertical position. The mandrel is held before, during and after the setting process so that one hand remains free, e.g. to hold the part. Even after the setting process, the sheared mandrel remains in the tool and does not drop into the part.



ONLINE-CHECK-IN

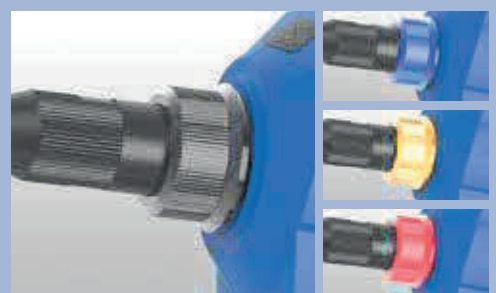
Take advantage of the opportunity to register and speed up repairs and maintenance on our website in advance!

Marking



The union nut is available in different colours to identify the application, workplace or employee. In addition, a plate for marking the field of application that can be fitted like the belt clip is available as an accessory.

Both are a perfect complement to pick-by-light systems.





Extended front sleeves

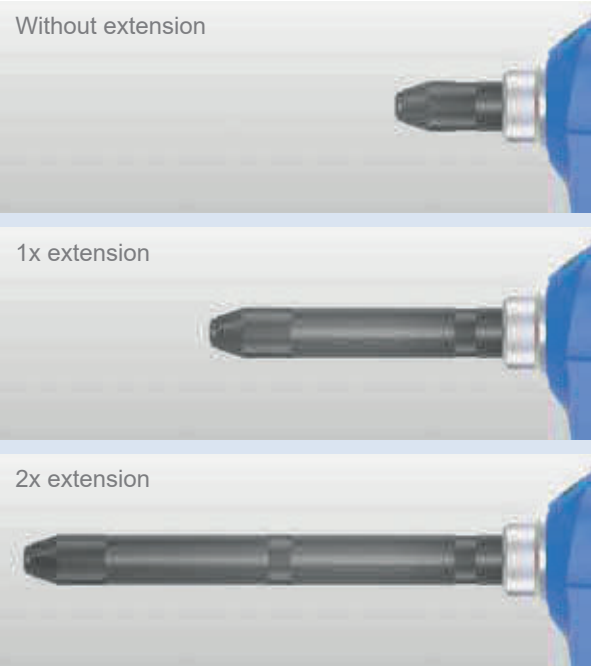
Drill holes are often so deep in parts that even extended nose pieces are not sufficient to reach them. For these applications, **extended front sleeves** with correspondingly modified clamping mechanisms are available for most HONSEL battery riveters. As with the standard sleeves, these are very narrow so that even the most confined installation situations can be reached.

Standard blind rivets can nevertheless be used. Versions with extended mandrel are not necessary!

Without extension

1x extension

2x extension



Angle riveting head

In order to be able to set blind rivets in hard-to-reach or particularly confined working areas, different **angular riveting heads**, with or without mandrel container, are available on request.

These are delivered preset to the desired position. Ask us!



Battery riveter

Special nose pieces

Apart from special nose pieces immediately available from stock, for example for the processing of large dome head blind rivets in façade construction, extended nose pieces for recessed riveting points or special nose pieces for high-strength blind rivets, we also produce solutions for individual applications.





Thanks to the removable transparent mandrel container, the tool can be further shortened for unrivalled ease of handling for even the most confined installation points.



Rivdom eBZ ZERO

Rivdom eBZ ZERO

Extremely small and light.

Optimised and specially designed for all blind rivet sizes up to 4.0 mm diameter.

In focus. **Maximum weight reduction and compact dimensions** thanks to the familiar RivSmart® housing. The outstanding ergonomics and **unrivalled light weight of only 1.3 kg** (incl. 2.0 Ah battery!) guarantee the highest level of comfort!

Scope of supply

- 1x Rivdom eBZ ZERO battery riveter with brushless motor
- 1x **HONSEL L-Boxx®**
- 12 V/2.0 Ah Li ion battery with visual state-of-charge indicator (number depending on variant)
- 1x Rivdom-PLUS quick-charger
- 3x standard nose pieces in box
- 1x mandrel container "S"
- 1x each belt clip, hanger bracket and cover cap



Illustration with one battery

320210000000-010-1 Rivdom eBZ ZERO - 1x battery 12V (2.0 Ah)

320210000000-020-1 Rivdom eBZ ZERO - 2x battery 12V (2.0 Ah)

RIVDOM® eBZ ZERO

Battery-powered setting tool for blind rivets



TOOL-FREE MAINTENANCE

Clamping jaws and nose pieces can be replaced quickly and easily on the spot.

| | | | |
|--|--|---|---|
| Weight 1,300 g 1,000 g without battery | 6,800 N Setting force | 20 mm Stroke | For blind rivets up to 4.0 mm diameter |
| > 100 Standard and special accessories immediately available from stock | > 1,000 Fasteners per 2.0 Ah battery charge | 195 mm Length without mandrel container | 20 minutes Charging time for 90 % charge Fully charged < 30 minutes |

Rivdom eBZ ZERO

Working range

| | 2,0 | 2,4 | 3,0 | 3,2 | 4,0 | 4,8 | 5,0 | 6,0 | 6,4 |
|--------------------------|-----|-----|-----|-----|-----|----------|-----|-----|-----|
| optional Aluminium | | | | | | optional | | | |
| optional Steel | | | | | | | | | |
| optional Stainless steel | | | | | | | * | | |
| optional Copper alloys | | | | | | | | | |

max. 3.4 mm * with original HONSEL ALFO® FLEX

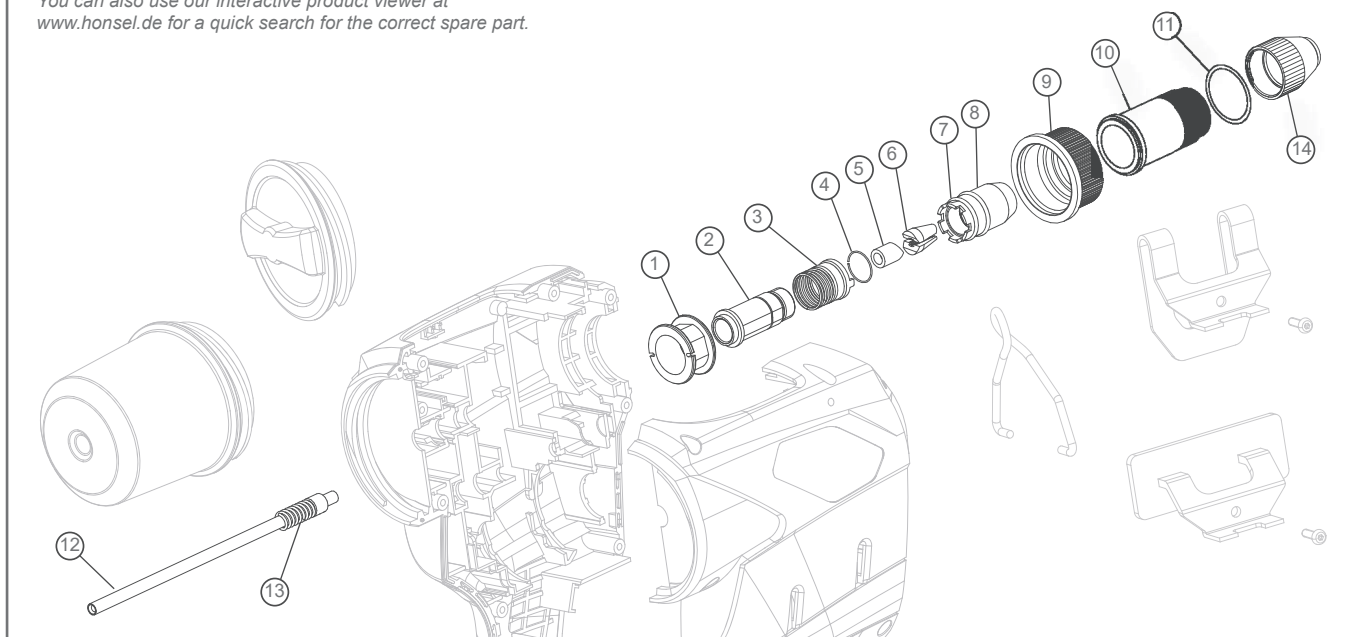
Family facts on the HONSEL battery riveters on ► page 36.



RIVDOM® eBZ ZERO

Accessories and spare parts

You can also use our interactive product viewer at www.honsel.de for a quick search for the correct spare part.



Spare and wear parts

| | | |
|----|-------------|------------------------------------|
| 1 | 32120000020 | Dummy-Sensorring |
| 2 | 32120000054 | Spacer |
| 3 | 32120000055 | Quick release ring + spring |
| 4 | 32120000056 | Quick release c-ring |
| 5 | 32120000017 | Guide sleeve (various Ø) |
| 6 | 31100200132 | Clamping jaws (1 set = 2 pcs.) |
| 7 | 32120000010 | O-Ring 14 x 1.0 |
| 8 | 32120000016 | Clamping sleeve |
| 9 | 32120000018 | Union ring (silver) |
| 10 | 32120000015 | Front sleeve incl. O-Ring |
| 11 | 32120000019 | O-Ring 14 x 1.0 |
| 12 | 32120000049 | Mandrel discharge tube (various Ø) |
| 13 | 32120000014 | Pressure spring |

Standard nose pieces

| | | |
|-----|-------------|--------------------------------|
| 14A | 32120000121 | Standard nose piece 2.0 mm |
| 14B | 32120000122 | Standard nose piece 2.4 mm |
| 14C | 32120000123 | Standard nose piece 3.0/3.2 mm |
| 14D | 32120000124 | Standard nose piece 4.0 mm |

Accessories

| | |
|-------------|--|
| 32120000021 | Li-Ion RivdomPLUS battery 12V/2,0Ah |
| 32120000022 | Li-Ion RivdomPLUS battery 12V/4,0Ah |
| 32150000001 | Universal quick charger 200 V (12 V/16 V/20 V) |
| 32150000003 | Multiple charging station |
| 32150000004 | Adapter multiple charging station for 1 x RivdomPLUS battery |

| | |
|--------------|---------------------------------|
| 32120000031 | Mandrel container S (5.5 cm) |
| 321300100031 | Mandrel container L (8.0 cm) |
| 321401000030 | Mandrel container L+ (8.0 cm) |
| 321501000030 | Mandrel container XL+ (11.0 cm) |
| 32120000018 | Union ring (blue) |
| 32120000018 | Union ring (gold) |
| 32120000018 | Union ring (red) |
| 32120000018 | Union ring (black) |
| 32120000029 | Hanger |
| 32120000006 | Belt clip |
| 32120000005 | Name plate |
| 32140100004 | Cover cap |

Special nose pieces

For recessed riveting points

Suitable for e. g. OPTO® multigrip blind rivet with extended mandrel.



Extended nose pieces 7.0 mm

| | |
|--------------|---------------------------------------|
| 321200932070 | Extended nose piece (7 mm) 3.0/3.2 mm |
| 321200940070 | Extended nose piece (7 mm) 4.0 mm |



Extended nose pieces 20.0 mm

| | |
|--------------|--|
| 321200932200 | Extended nose piece (20 mm) 3.0/3.2 mm |
| 321200940200 | Extended nose piece (20 mm) 4.0 mm |

For 4.0 mm large dome head blind rivets

Further information on the function,



| | |
|--------------|--------------------------------|
| 321200000416 | Facade nose piece head 16.0 mm |
| 321200000424 | Facade nose piece head 24.0 mm |

i Special nose pieces for specific customer applications can be produced at short notice.

Extended front sleeves



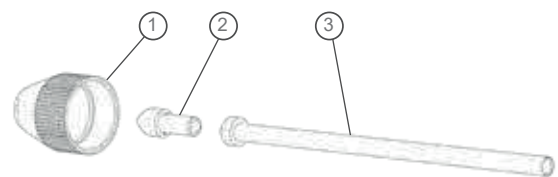
For particularly deep riveting points. Setting of standard blind rivets.

| Item no. | Designation |
|------------------|---|
| 321200000072-0-1 | 1x Extension piece 80 mm without mandrel discharge tube |
| ≤1,7 | 321200000072-01-4 1x Extension piece 80 mm and mandrel discharge tube |
| ≤2,2 | 321200000072-01-3 1x Extension piece 80 mm and mandrel discharge tube |
| ≤2,7 | 321200000072-01-2 1x Extension piece 80 mm and mandrel discharge tube |
| ≤1,7 | 321200000072-02-4 2x Extension piece 80 mm and mandrel discharge tube |
| ≤2,2 | 321200000072-02-3 2x Extension piece 80 mm and mandrel discharge tube |
| ≤2,7 | 321200000072-02-2 2x Extension piece 80 mm and mandrel discharge tube |

1x extension 80 mm = sleeve length 120 mm, total tool length 204 mm
2x extension 80 mm = sleeve length 200 mm, total tool length 284 mm

Retention nose pieces

To ensure optimum riveting with HONSEL retention nose pieces, we recommend the use of the guide sleeves and stud discharge tubes matching the respective STUD DIAMETER ($\frac{\text{X}}{\text{Y}}$).



| No. | Item no. | Designation |
|------|---------------------|---------------------------------|
| | 321120000224-0-1 | SET from position 1, 2 and 3 |
| ≤1,7 | 1 321200000132-01-1 | Retention nose piece 2.4/3.2 mm |
| | 2 321200000017-0-4 | Guide sleeve |
| | 3 321200000049-0-4 | Mandrel discharge tube |

| No. | Item no. | Designation |
|------|---------------------|------------------------------|
| | 321120000240-0-1 | SET from position 1, 2 and 3 |
| ≤2,7 | 1 321200000136-01-1 | Retention nose piece 4.0 mm |
| | 2 321200000017-0-2 | Guide sleeve |
| | 3 321200000049-0-2 | Mandrel discharge tube |

| No. | Item no. | Designation |
|------|---------------------|---------------------------------|
| | 321120000232-0-1 | SET from position 1, 2 and 3 |
| ≤2,2 | 1 321200000134-01-1 | Retention nose piece 3.0/3.2 mm |
| | 2 321200000017-0-3 | Guide sleeve |
| | 3 321200000049-0-3 | Mandrel discharge tube |

Extended retention nose pieces 7.0 mm

| Item no. | Designation |
|----------|---|
| ≤1,7 | 321200924070-01-1 Extended retention nose piece (7 mm) 2.4 mm |
| ≤2,2 | 321200932070-01-1 Extended retention nose piece (7 mm) 3.0/3.2 mm |
| ≤2,7 | 321200940070-01-1 Extended retention nose piece (7 mm) 4.0 mm |

Order matching guide sleeve and stud discharge tube at the same time (please refer to items 2 + 3 in the tables opposite).

RIVDOM® eBZ 1

Battery-powered setting tool for blind rivets



Even more compact without mandrel container – reliable riveting even in confined installation situations.

Clear status displays



Powered by



Now with AMPShare power for professionals. AMPShare is the shared battery system that allows you to use a wide range of tools from several professional brands with just one battery – thanks to the leading battery technology of Bosch Professional.

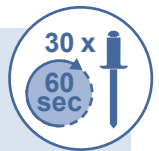


Compatible since 2008 – more than 80 million batteries!

All Bosch Professional 18V/AMPShare Systems batteries can be used with new and existing Bosch Professional tools and, in future, also in all AmpShare alliance tools of the same voltage class.

Rivdom eBZ 1

Compact and extremely fast.

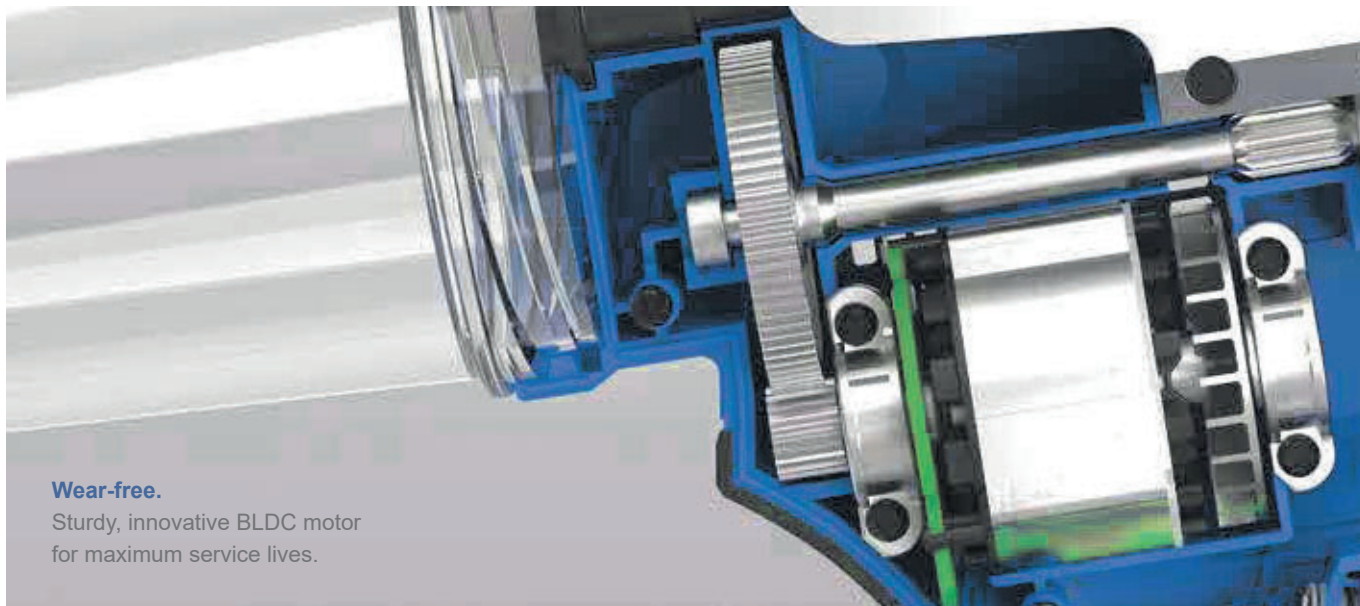


Developed, designed and produced by HONSEL. Rivdom eBZ 1 is at home wherever large numbers of rivets have to be set in the shortest possible time. The ideal tool for industrial series production. With a pure setting time of less than one second, it is possible to set 30 blind rivets in 60 seconds. This makes Rivdom eBZ 1 twice as fast as comparable tools and saves measurable working time every day.

Scope of supply

- 1x Rivdom eBZ 1 battery riveter with brushless motor
 - 4x standard nose pieces in box
 - 1x mandrel container "L"
 - 1x each belt clip, hanger bracket and cover cap
- Versions according to the table below:
- AMPShare 18V 2.0 Ah GBA Li ion battery
 - AMPShare GAL 18V-40 quick-charger
 - Delivery in HONSEL L-Boxx® or carton

| Item no. | eBZ 1 | Battery | Charger | L-Boxx | Carton |
|--------------------|-------|---------|---------|--------|--------|
| 320421000000-010-1 | x | 1x | x | x | |
| 320421000000-020-1 | x | 2x | x | x | |
| 320421000000-099-1 | x | | | x | |
| 320421000000-199-1 | x | | | | x |



Wear-free.

Sturdy, innovative BLDC motor for maximum service lives.

| | | | |
|--|--|---|--|
| Weight 1,600 g 1,235 g without battery | 10,000 N Setting force | 25 mm Stroke | For blind rivets up to 5.0 mm diameter |
| Setting process < 1 second 30 rivets in one minute possible | > 1,200 Fasteners per 2.0 Ah battery charge | 210 mm Length without mandrel container | 24 minutes Charging time for 80 % charge Fully charged in 35 minutes (2.0 Ah) |

Rivdom eBZ 1

Working range

| | | | | | | | | |
|-----------------|-----|-----|-----|-----|-----|----------|-----|-----|
| 2,4 | 3,0 | 3,2 | 4,0 | 4,8 | 5,0 | 6,0 | 6,4 | 8,0 |
| Aluminium | | | | | | optional | | |
| Steel | | | | | | | | |
| Stainless steel | | | | | | | | |
| Copper alloys | | | | | | | | |

max. 3.4 mm



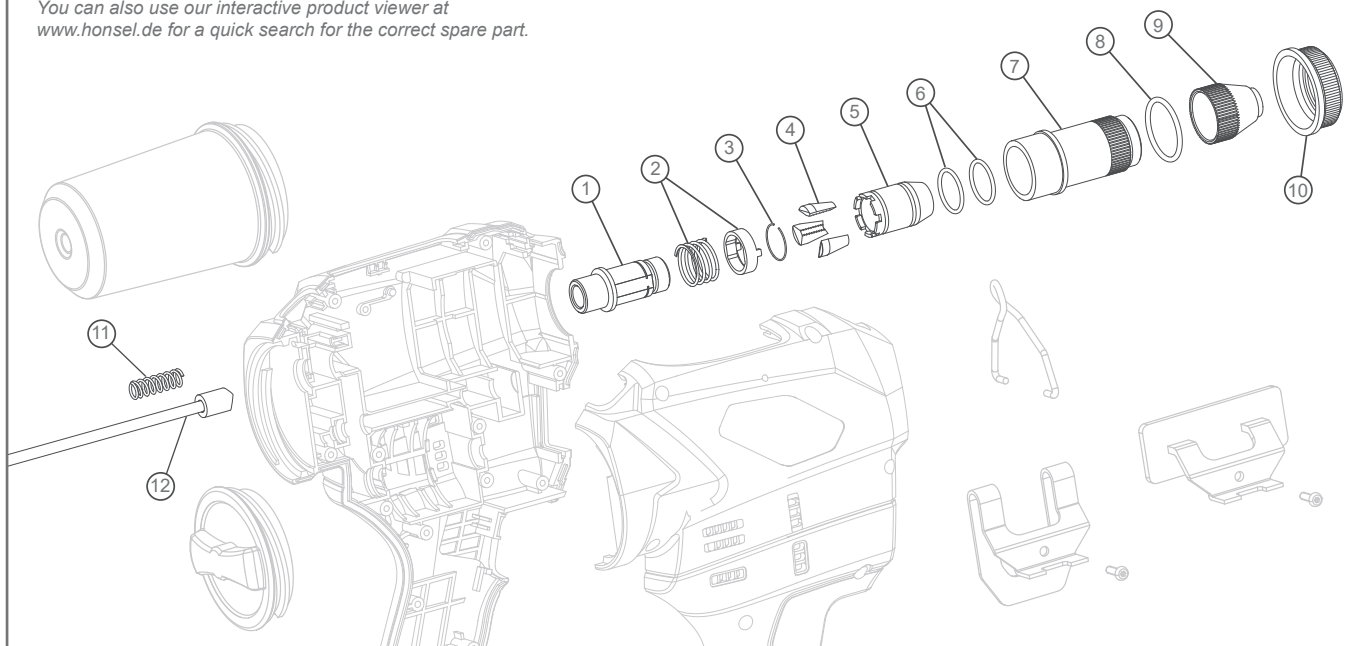
Family facts on the HONSEL battery riveters on ► page 36.



RIVDOM® eBZ 1

Accessories and spare parts

You can also use our interactive product viewer at www.honsel.de for a quick search for the correct spare part.



Spare and wear parts

| | | |
|----|--------------|---|
| 1 | 321420000054 | Spacer |
| 2 | 321420000055 | Quick release ring + spring |
| 3 | 321420000056 | Quick release c-ring |
| 4 | 321020000006 | Clamping jaws (1 set = 3 pcs.) |
| 5 | 321420000016 | Clamping sleeve |
| 6 | 321121000045 | O-Ring 16 x 1.5 |
| 7 | 321420000015 | Front sleeve incl. O-Ring |
| 8 | 321420000019 | O-Ring 23 x 2.0 |
| 10 | 321420000018 | Union ring (silver) |
| 11 | 321420000014 | Pressure spring |
| 12 | 321420000049 | Guide sleeve wit mandrel discharge tube (various Ø) |

Standard nose pieces

| | | |
|----|--------------|--------------------------------|
| 9A | 321420000122 | Standard nose piece 2.4 mm |
| 9B | 321420000123 | Standard nose piece 3.0/3.2 mm |
| 9C | 321420000124 | Standard nose piece 4.0 mm |
| 9D | 321420000125 | Standard nose piece 4.8/5.0 mm |

Accessories

| | |
|--------------|--|
| 321500000010 | AMPShare Starter Set (2 x 2.0Ah, 1 AMPShare quick charger) - EU |
| 321500000011 | AMPShare Starter Set (1 x 2.0Ah, 1x4.0Ah, 1 AMPShare quick charger) - EU |
| 321500000012 | AMPShare Starter Set (2 x 4.0Ah, 1 AMPShare quick charger) - EU |
| 321500000005 | AMPShare Quick Charger GAL 18V-40 (EU) |
| 321500000024 | AMPShare 18V 2.0 AH GBA Li-Ion battery (EU) |
| 321500000025 | AMPShare 18V 4.0 AH ProCore Li-Ion battery (EU) |

| | |
|--------------|---|
| 320420000100 | Rivdom eBZ 1 with angular rivet head 0° |
| 320420000101 | Rivdom eBZ 1 with angular rivet head 90° |
| 320420000101 | Rivdom eBZ 1 with angular rivet head 180° |
| 320420000102 | Rivdom eBZ 1 with angular rivet head 270° |

| | |
|--------------|---------------------------------|
| 321200000031 | Mandrel container S (5.5 cm) |
| 321300100031 | Mandrel container L (8.0 cm) |
| 321401000030 | Mandrel container L+ (8.0 cm) |
| 321501000030 | Mandrel container XL+ (11.0 cm) |
| 321420000018 | Union ring (blue) |
| 321420000018 | Union ring (gold) |
| 321420000018 | Union ring (red) |
| 321420000018 | Union ring (black) |
| 321200000029 | Hanger |
| 321200000006 | Belt clip |
| 321200000005 | Name plate |
| 321401000004 | Cover cap |

Special nose pieces with retainer function

For recessed riveting points

Extended nose pieces 5.0 mm



| | |
|--------------|---|
| 321420924050 | Extended retention nose piece (5 mm) 2.4 mm |
| 321420932050 | Extended retention nose piece (5 mm) 3.0/3.2 mm |
| 321420940050 | Extended retention nose piece (5 mm) 4.0 mm |
| 321420950050 | Extended retention nose piece (5 mm) 4.8/5.0 mm |

Extended retention nose pieces 20.0 mm



| | |
|--------------|--|
| 321420932200 | Extended retention nose piece (20 mm) 3.0/3.2 mm |
| 321420924200 | Extended retention nose piece (20mm) 2.4 mm |
| 321420940200 | Extended retention nose piece (20 mm) 4.0 mm |
| 321420950200 | Extended retention nose piece (20 mm) 4.8/5.0 mm |

i A stud discharge tube and guide sleeve matching the stud diameter is required. For Article No., see list of retention nose pieces at the bottom of this page.

For 4.0 and 5.0 mm large dome head blind rivets



| | |
|--------------|--|
| 321420000424 | Façade nose piece 4.0 mm to head 24 mm |
| 321420000524 | Façade nose piece 4.8/5.0 mm to head 24 mm |

For 4.8 mm FEROM BOLT high-strength blind rivets



| | |
|--------------|------------------------------|
| 321420008401 | Nose piece FEROM BOLT 4.8 mm |
|--------------|------------------------------|

For 5.2 mm folding blind rivets



| | |
|--------------|---------------------------------|
| 321420716052 | Folding rivet nose piece 5.2 mm |
|--------------|---------------------------------|

Extended front sleeves



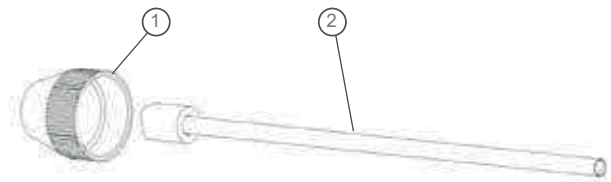
1x extension 80 mm =
sleeve length 120 mm, total tool length 204 mm
2x extension 80 mm =
sleeve length 200 mm, total tool length 284 mm

For particularly recessed riveting points. Setting of standard blind rivets.

| Item no. | Designation |
|------------------------|---|
| 321420000072-1-1 | 1x Extension piece 80 mm without mandrel discharge tube |
| ≤1,7 321420000072-01-4 | 1x Extension piece 80 mm and mandrel discharge tube |
| ≤2,2 321420000072-01-3 | 1x Extension piece 80 mm and mandrel discharge tube |
| ≤2,7 321420000072-01-2 | 1x Extension piece 80 mm and mandrel discharge tube |
| ≤3,2 321420000072-01-1 | 1x Extension piece 80 mm and mandrel discharge tube |
| ≤3,4 321420000072-01-5 | 1x Extension piece 80 mm and mandrel discharge tube |
| ≤1,7 321420000072-02-4 | 2x Extension piece 80 mm and mandrel discharge tube |
| ≤2,2 321420000072-02-3 | 2x Extension piece 80 mm and mandrel discharge tube |
| ≤2,7 321420000072-02-2 | 2x Extension piece 80 mm and mandrel discharge tube |
| ≤3,2 321420000072-02-1 | 2x Extension piece 80 mm and mandrel discharge tube |
| ≤3,4 321420000072-02-5 | 2x Extension piece 80 mm and mandrel discharge tube |

Retention nose pieces

To ensure optimum riveting with HONSEL retention nose pieces, we recommend the use of the stud discharge tubes (incl. guide sleeves) matching the respective STUD DIAMETER ().



| No. | Item no. | Designation |
|--------|-------------------|---|
| | 321420000224-0-1 | SET from position 1 and 2 |
| ≤1,7 1 | 321420000132-01-1 | Retention nose piece 4.8/5.0 mm |
| 2 | 321420000049-0-4 | Mandrel discharge tube and guide sleeve |

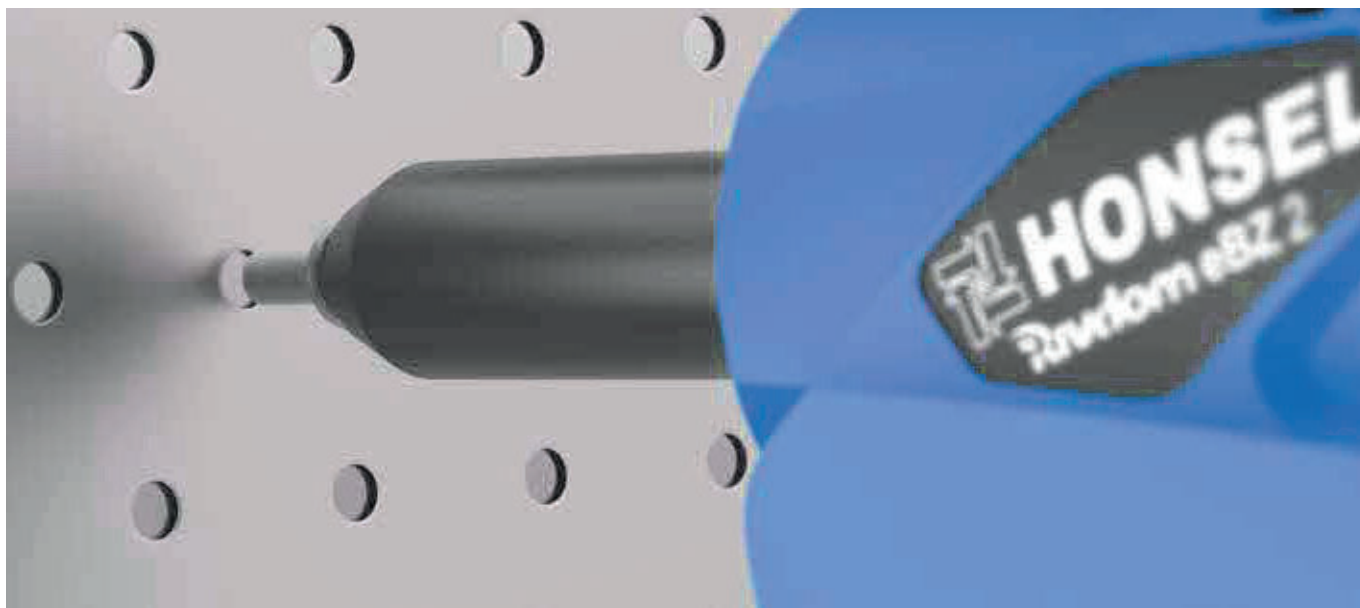
| No. | Item no. | Designation |
|--------|-------------------|---|
| | 321420000240-0-1 | SET from position 1 and 2 |
| ≤2,7 1 | 321420000136-01-1 | Retention nose piece 4.0 mm |
| 2 | 321420000049-0-2 | Mandrel discharge tube and guide sleeve |

| No. | Item no. | Designation |
|--------|-------------------|---|
| | 321420000232-0-1 | SET from position 1 and 2 |
| ≤2,2 1 | 321420000134-01-1 | Retention nose piece 3.0/3.2 mm |
| 2 | 321420000049-0-3 | Mandrel discharge tube and guide sleeve |

| No. | Item no. | Designation |
|--------|-------------------|---|
| | 321420000250-0-1 | SET from position 1 and 2 |
| ≤3,2 1 | 321420000138-01-1 | Retention nose piece 4.8/5,0 mm |
| 2 | 321420000049-0-1 | Mandrel discharge tube and guide sleeve |

RIVDOM® eBZ 2

Battery-powered setting tool for blind rivets



Rivdom eBZ 2



Rivdom eBZ 2

The power pack.

The **setting force of 20,000 N** and a very large **stroke of 30 mm** enable not only standard blind rivets but also high-strength versions such as HONSEL FERRO® Bulb and FERRO® Bolt (or comparable products) or folding blind rivets **up to 6.4 mm diameter** to be set quickly and reliably in one step.

Uncompromisingly powerful.

Scope of supply

- 1x Rivdom eBZ 2 battery riveter with brushless motor in HONSEL L-Boxx®
- 20 V/2.0 Ah Li ion battery with visual state-of-charge indicator (number depending on variant)
- 1x Rivdom-PLUS quick-charger
- 3x standard nose pieces in box
- 1x mandrel container "L"
- 1x each belt clip, hanger bracket and cover cap



Illustration with two batteries

| | |
|--------------------|--|
| 320502000000-010-1 | Rivdom eBZ 2 - 1x Battery 20V (2.0 Ah) |
| 320502000000-020-1 | Rivdom eBZ 2 - 2x Battery 20V (2.0 Ah) |



| | | | |
|--|--|--|--|
| Weight 2,000 g 1,600 g without battery | 20,000 N Setting force | 30 mm Stroke | For blind rivets up to 6.4 mm diameter |
| Optional from 4.0 mm | > 1,100 Fasteners (ALFO® alu- minum/steel 6x10) per 2.0 Ah battery charge | 242 mm Length without mandrel container | 22 minutes Charging time for 90 % charge Fully charged < 30 minutes |

Rivdom eBZ 2

Working range

| | | | | | | | | |
|-----|-----|-----|-----------|-----------------|-----|-----|-----|-----|
| 2,4 | 3,0 | 3,2 | 4,0 | 4,8 | 5,0 | 6,0 | 6,4 | 8,0 |
| | | | optional* | Aluminium | | | | |
| | | | optional* | Steel | | | | |
| | | | optional* | Stainless steel | | | | |
| | | | optional* | Copper alloys | | | | |

max. 4.8 mm * Optional conversion kits for 4.0–6.4 mm blind rivets, ► see next page.



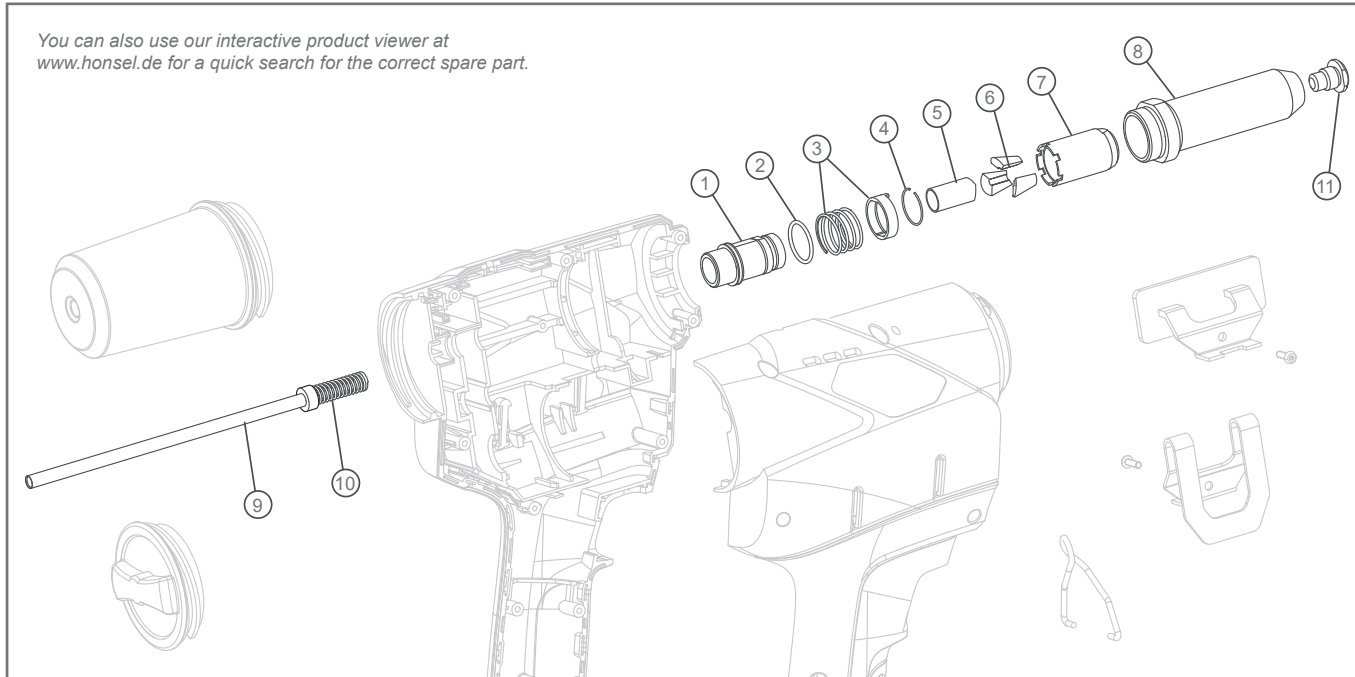
Family facts on the HONSEL battery riveters on ► page 36.



RIVDOM® eBZ 2

Accessories and spare parts

You can also use our interactive product viewer at www.honsel.de for a quick search for the correct spare part.



Spare and wear parts

| | | |
|----|--------------|--|
| 1 | 321502000054 | Spacer with O-ring |
| 2 | 321300100010 | O-ring 16x1.5 |
| 3 | 321502000055 | Quick release ring + spring |
| 4 | 321502000056 | Quick release c-ring |
| 5 | 321300200017 | Guide sleeve (various Ø) |
| 6 | 361122000020 | Clamping jaws (1 set = 3 pcs.) |
| 7 | 321502000016 | Clamping sleeve 4.8 - 6.4 mm |
| 8 | 321300200015 | Front sleeve |
| 9 | 321300200049 | Mandrel discharge tube with O-ring (various Ø) |
| 10 | 321300200021 | Pressure spring |

Standard nose pieces

| | | |
|-----|--------------|--------------------------------|
| 11A | 321120000125 | Standard nose piece 4.8/5.0 mm |
| 11B | 321120000126 | Standard nose piece 6.0 mm |
| 11C | 321120000127 | Standard nose piece 6.4 mm |

Conversion kit (optional for blind rivets above 4.0 mm)

| | |
|--------------|---|
| 321502000018 | Conversion kit* blind rivets 4.0 - 6.4 mm (Clamping sleeve and clamping jaws) |
|--------------|---|

* Clamping sleeve and clamping jaws cannot be combined with the standard version (4.8–6.4 mm).



Accessories

| | |
|--------------|--|
| 321500000021 | Li-Ion RivdomPLUS battery 20 V/2.0 Ah |
| 321500000022 | Li-Ion RivdomPLUS battery 20 V/4.0 Ah |
| 321500000001 | Universal quick charger 200 V (12 V/16 V/20 V) |
| 321500000003 | Multiple charging station |
| 321500000004 | Adapter multiple charging station for 1 x RivdomPLUS battery |

| | |
|--------------|---------------------------------|
| 321200000031 | Mandrel container S (5.5 cm) |
| 321300100031 | Mandrel container L (8.0 cm) |
| 321401000030 | Mandrel container L+ (8.0 cm) |
| 321501000030 | Mandrel container XL+ (11.0 cm) |
| 321401000029 | Hanger |
| 321200000006 | Belt clip |
| 321200000005 | Name plate |
| 321401000004 | Cover cap |

| | |
|--------------|---|
| 320502000100 | Rivdom eBZ 2 with angular rivet head 0° |
| 320502000101 | Rivdom eBZ 2 with angular rivet head 90° |
| 320502000101 | Rivdom eBZ 2 with angular rivet head 180° |
| 320502000102 | Rivdom eBZ 2 with angular rivet head 270° |

Special nose pieces

For recessed riveting points

Extended nose pieces 7.0 mm



| | |
|--------------|---------------------------------------|
| 321123950070 | Extended nose piece (7 mm) 4.8/5.0 mm |
| 321123960070 | Extended nose piece (7 mm) 6.0 mm |
| 321123964070 | Extended nose piece (7 mm) 6.4 mm |

Extended nose pieces 20.0 mm



| | |
|--------------|--|
| 321123950200 | Extended nose piece (20 mm) 4.8/5.0 mm |
| 321123960200 | Extended nose piece (20 mm) 6.0 mm |
| 321123964200 | Extended nose piece (20 mm) 6.4 mm |

i Special nose pieces for specific customer applications can be produced at short notice.

For 5.0 mm large dome head blind rivets



| | |
|--------------|--------------------------------|
| 321120000511 | Façade nose piece head 11.0 mm |
| 321120000514 | Façade nose piece head 14.0 mm |
| 321120000516 | Façade nose piece head 16.0 mm |

For 4.8 mm FERRO® BOLT high-strength blind rivets



| | |
|--------------|--|
| 361121008401 | Nose piece FERRO®-BOLT blind rivets 4.8 mm |
| 361121008601 | Nose piece FERRO®-BOLT blind rivets 6.4 mm |

Also available as retention nose pieces.

For folding blind rivets



| | |
|--------------|--|
| 321123716052 | Nose piece for folding blind rivets 5.2 mm |
| 321123716063 | Nose piece for folding blind rivets 6.3 mm |
| 321123716077 | Folding rivet nose piece 7.7 mm |


Extended front sleeves

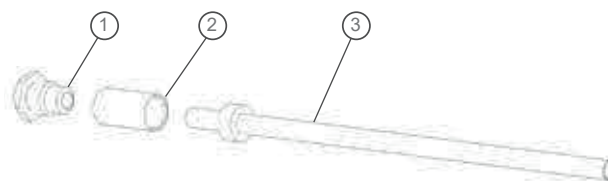



For particularly recessed riveting points. Setting of standard blind rivets.


|  | Item no. | Designation |
|---|------------------|--------------------------------|
|  | 321300200072-0-1 | Extendet front sleeve (200 mm) |

Retention nose pieces


To ensure optimum riveting with HONSEL retention nose pieces, we recommend the use of the guide sleeves and stud discharge tubes matching the respective STUD DIAMETER ().



|  | No. | Item no. | Designation |
|---|-----|--------------------|---------------------------------|
| ≤3,2 | | 321501000250-0-1 | SET from position 1, 2 and 3 |
| | 1 | 321501000134-01-1 | Retention nose piece 4.8/5.0 mm |
| | 2 | 321300200017-001-4 | Guide sleeve |
| | 3 | 321300200049-0-4 | Mandrel discharge tube |

|  | No. | Item no. | Designation |
|---|-----|--------------------|------------------------------|
| ≤3,7 | | 321501000260-0-1 | SET from position 1, 2 and 3 |
| | 1 | 321501000136-01-1 | Retention nose piece 6.0 mm |
| | 2 | 321300200017-001-3 | Guide sleeve |
| | 3 | 321300200049-0-3 | Mandrel discharge tube |

|  | No. | Item no. | Designation |
|---|-----|--------------------|------------------------------|
| ≤4,1 | | 321501000264-0-1 | SET from position 1, 2 and 3 |
| | 1 | 321501000138-01-1 | Retention nose piece 6.4 mm |
| | 2 | 321300200017-001-2 | Guide sleeve |
| | 3 | 321300200049-0-2 | Mandrel discharge tube |

|  | No. | Item no. | Designation |
|---|-----|--------------------|------------------------------|
| ≤4,7 | | 321501000265-0-1 | SET from position 1, 2 and 3 |
| | 1 | 321501000138-01-1 | Retention nose piece 6.4 mm |
| | 2 | 321300200017-001-1 | Guide sleeve |
| | 3 | 321300200049-0-1 | Mandrel discharge tube |

RIVDOM® eBZ 2 FERRO

Battery-powered setting tool for blind rivets



Rivdom eBZ 2 FERRO

Rivdom eBZ 2 FERRO

HONSEL offers more. The Rivdom eBZ 2 FERRO

A typical example of perfectly matched components. Here for high-strength blind rivets from 4.8 to 6.4 mm.

The modified clamping mechanism with clamping jaws matched to the grooves of the rivet mandrel guarantees an optimum form fit.

30 mm
Stroke

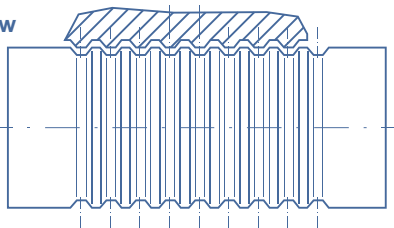
6.4 mm
diameter

Weight
2,000 g
1,600 g without battery

20,000 N
Setting force

Clamping jaw

Mandrel



Benefits of HONSEL system component clamping jaws

- Minimised wear of the actual clamping jaws
- Greatly reduced tool wear
- Optimum grip. Less or no slipping of the clamping jaws on the fastener
- The geometry allows earlier gripping of the mandrel and thus an ideal grip angle for full power transmission of the clamping jaws to the mandrel
- Thanks to the optimised geometry, the short mandrels commonly produced and on the market can be reliably gripped
- As a result, extended nose pieces can also be used



Scope of supply

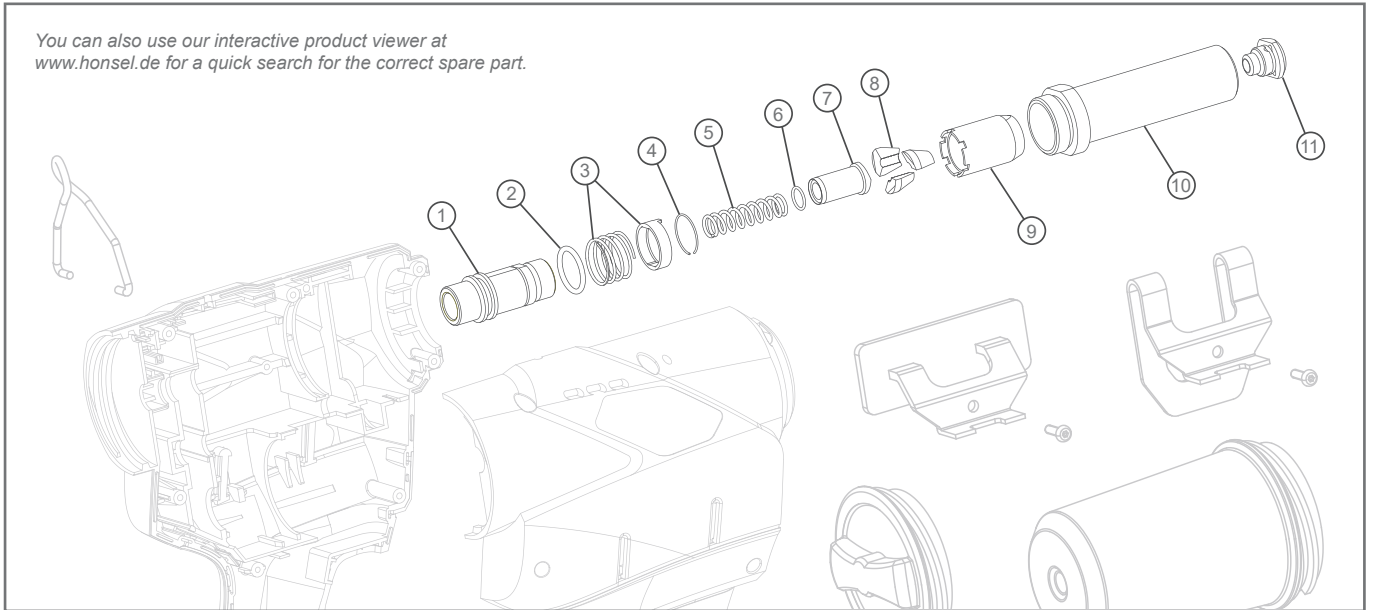
- 1x Rivdom eBZ 2 FERRO battery riveter with brushless motor in HONSEL L-Boxx®
- 1x retention nose pieces 6,4 mm in box
- 1x mandrel container "L"
- 1x each belt clip, hanger bracket and cover cap

Versions according to the table below:

- 20 V/2.0 Ah Li ion battery with visual state-of-charge indicator (number depending on variant)
- 1x Rivdom-PLUS quick-charger

| Item no. | eBZ 2 FERRO | Battery |
|--------------------|-------------|---------|
| 320510000000-010-1 | x | 1x |
| 320510000000-020-1 | x | 2x |

You can also use our interactive product viewer at www.honsel.de for a quick search for the correct spare part.



Spare and wear parts

| | | |
|----|--------------|--------------------------------|
| 1 | 321528000054 | Spacer with O-Ring |
| 2 | 321528000010 | O-ring 15.0 x 2.5 |
| 3 | 321502000055 | Quick release ring + spring |
| 4 | 321502000056 | Quick release c-ring |
| 5 | 321528200021 | Pressure spring |
| 6 | 321102000050 | O-Ring 8 x 1,0 |
| 7 | 321528200017 | Guide sleeve |
| 8 | 321528045080 | Clamping jaws (1 set = 3 pcs.) |
| 9 | 321528040016 | Clamping sleeve |
| 10 | 321528200015 | Front sleeve |

FERO nose pieces

For FERRO® BOLT high-strength blind rivets



| | |
|--------------|--|
| 321528008401 | Nose piece FERRO®-BOLT blind rivets 4.8 mm |
| 321528008601 | Nose piece FERRO®-BOLT blind rivets 6.4 mm |

Also available as retention nose pieces



Working range

| | | | | | | | | |
|-----|-----|-----|-----|-----------------|-----|-----|-----|-----|
| 2,4 | 3,0 | 3,2 | 4,0 | 4,8 | 5,0 | 6,0 | 6,4 | 8,0 |
| | | | | Aluminium | | | | |
| | | | | Steel | | | | |
| | | | | Stainless steel | | | | |

max. 4.8 mm
grooved mandrel



Family facts on the HONSEL battery riveters on ► page 36.



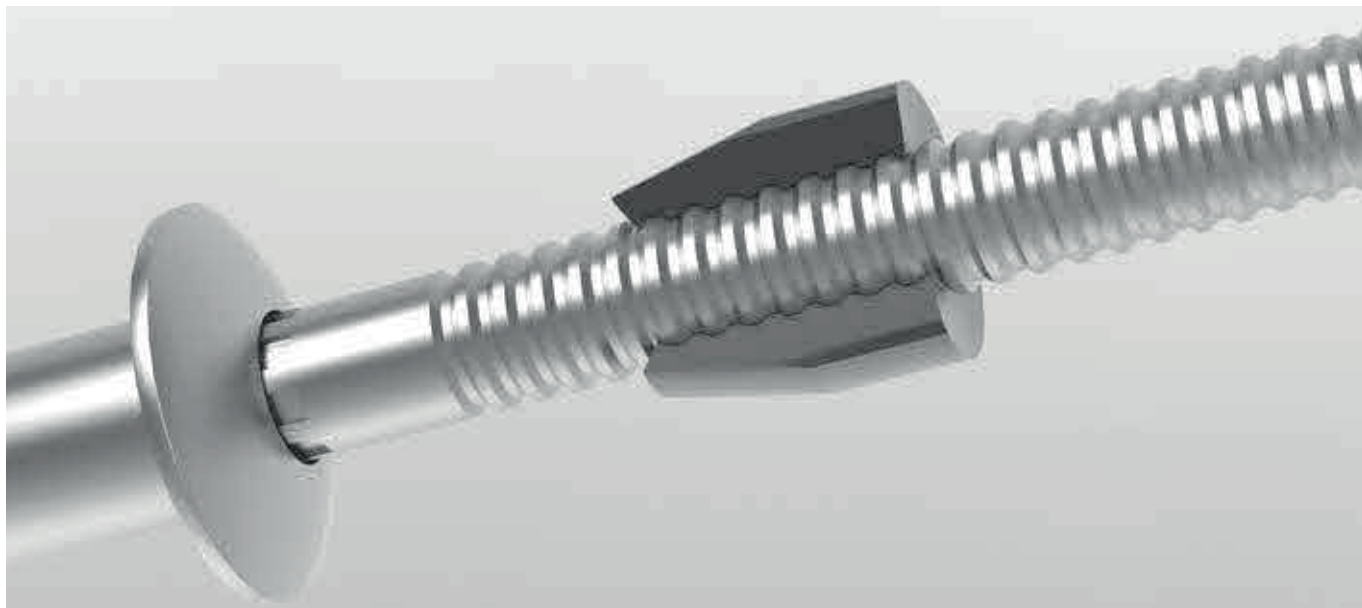


Illustration with two batteries

Rivdom eBZ 3

MAXIMUMPOWER with cordless riveting

The HONSEL Rivdom eBZ 3 battery riveter was developed specially for the demands of the setting of high-strength blind rivets with 6.4 and 7.8 mm diameter with grooved rivet stud!

The geometry of the clamping jaws specially designed for these grooves and a modified clamping mechanism guarantee reliable and positive-fit setting of FERRO® BULB high-strength blind rivets (or comparable products) with a stud diameter from 3.8 to 6.15 mm. This also helps to minimise wear on the clamping jaws.

Scope of supply

- 1x Rivdom eBZ 3 battery riveter with brushless motor in HONSEL L-Boxx®
- 20 V/2.0 Ah Li ion battery with visual state-of-charge indicator (number depending on variant)
- 1x Rivdom-PLUS quick-charger
- 2x retention nose pieces in box
- 1x mandrel container "L"
- 1x each belt clip, hanger bracket and cover cap

| | |
|--------------------|--|
| 320528000000-010-1 | Rivdom eBZ 3 - 1x battery 20V (2.0 Ah) |
| 320528000000-020-1 | Rivdom eBZ 3 - 2x battery 20V (2.0 Ah) |



The HONSEL RIVDOM eBZ 3 is supplied as standard with retention nose pieces. Wear parts can be changed practically without the use of tools.



Rivdom eBZ 3

| | | | |
|--|--|---|--|
| Weight 2,100 g 1,730 g without battery | 24,000 N Setting force | 30 mm Stroke | For blind rivets up to 8.0 mm diameter |
| Ideal for 0.8 mm Trapezoidal grooves on the fastener | > 625 7.8 x 13.5 mm FERO® BULB blind rivets per 2.0 Ah battery charge | 242 mm Length without mandrel container | 22 minutes Charging time for 90 % charge Fully charged < 30 minutes |

Working range

| | | | | | | | | |
|-----|-----|-----|-----|-----|-----|-----|-----------------|-----|
| 2,4 | 3,0 | 3,2 | 4,0 | 4,8 | 5,0 | 6,0 | 6,4 | 8,0 |
| | | | | | | | Aluminium | |
| | | | | | | | Steel | |
| | | | | | | | Stainless steel | |

max. 6.1 mm grooved mandrel



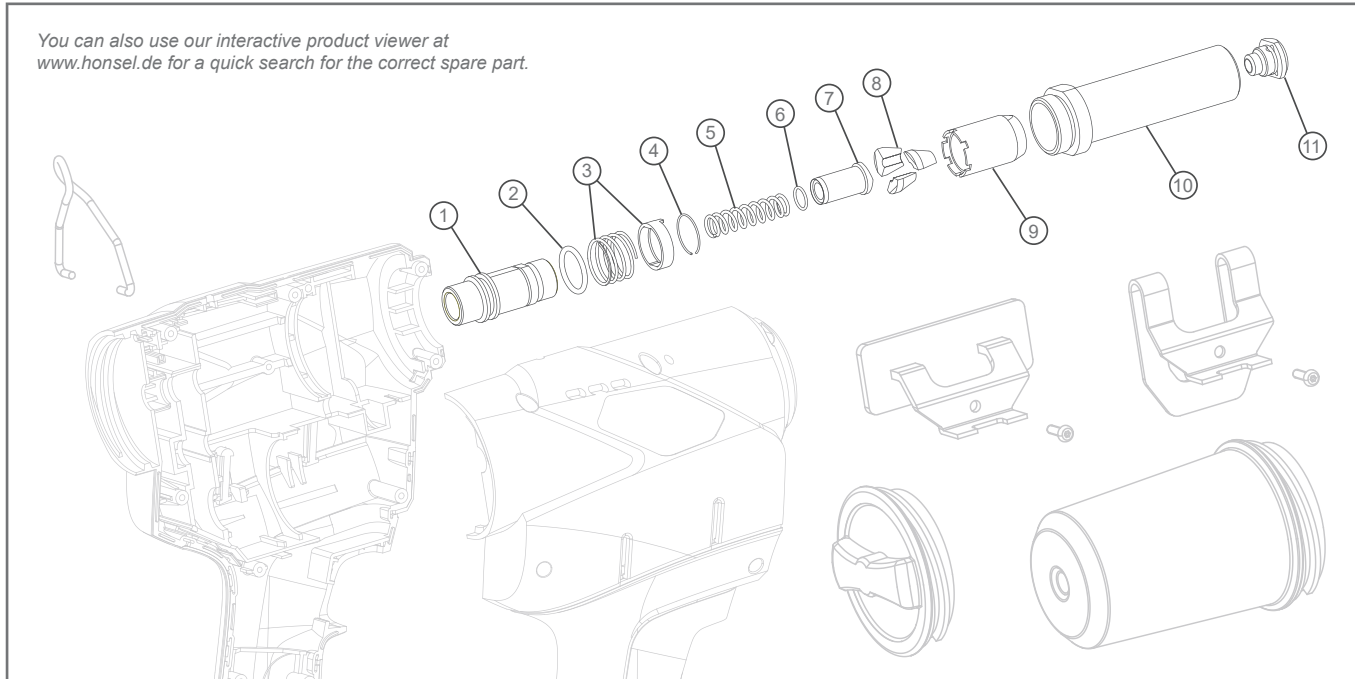
Family facts on the HONSEL battery riveters on ► page 36.



RIVDOM® eBZ 3

Accessories and spare parts

You can also use our interactive product viewer at www.honsel.de for a quick search for the correct spare part.



Spare and wear parts

| | | |
|----|--------------|--------------------------------|
| 1 | 321528000054 | Spacer with O-Ring |
| 2 | 321528000010 | O-ring 15.0 x 2.5 |
| 3 | 321502000055 | Quick release ring + spring |
| 4 | 321502000056 | Quick release c-ring |
| 5 | 321528200021 | Pressure spring |
| 6 | 321102000050 | O-Ring 8 x 1,0 |
| 7 | 321528200017 | Guide sleeve |
| 8 | 321528045080 | Clamping jaws (1 set = 3 pcs.) |
| 9 | 321528040016 | Clamping sleeve |
| 10 | 321528200015 | Front sleeve |

Standard nose pieces

i See retention nose pieces on the following page.

Special nose pieces

For FERRO® BOLT high-strength blind rivets



361121008601 Nose piece FERRO®-BOLT blind rivets 6.4 mm

Also available as retention nose pieces



Accessories

| | |
|--------------|--|
| 321500000021 | Li-Ion RivdomPLUS battery 20 V/2.0 Ah |
| 321500000022 | Li-Ion RivdomPLUS battery 20 V/4.0 Ah |
| 321500000001 | Universal quick charger 200 V (12 V/16 V/20 V) |
| 321500000003 | Multiple charging station |
| 321500000004 | Adapter multiple charging station for 1 x RivdomPLUS battery |

| | |
|--------------|---------------------------------|
| 321300100031 | Mandrel container L (8.0 cm) |
| 321401000030 | Mandrel container L+ (8.0 cm) |
| 321501000030 | Mandrel container XL+ (11.0 cm) |
| 321401000029 | Hanger |
| 321200000006 | Belt clip |
| 321200000005 | Name plate |
| 321401000004 | Cover cap |



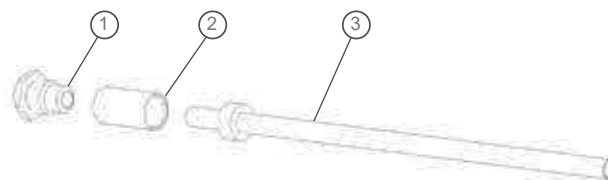
Maximum power

The eBZ 3 is currently the strongest of our battery riveters for blind rivets – together with, for example, the small, lightweight eBZzero or the fast ebZ1, we now offer a complete range of battery tools for every application – the first with the batteries of the AMPShare alliance, powered by Bosch.

Sebastian Rousseau | Product Manager Tools

Retention nose pieces

To ensure optimum riveting with HONSEL retention nose pieces, we recommend the use of the guide sleeves and stud discharge tubes matching the respective STUD DIAMETER ($\frac{\text{STUD}}{\text{STUD}}$).



| $\frac{\text{STUD}}{\text{STUD}}$ | No. | Item no. | Designation |
|-----------------------------------|-----|-------------------|------------------------------|
| | | 321825000264-0-1 | SET from position 1, 2 and 3 |
| ≤4,1 | 1 | 321528000066-01-1 | Retention nose piece 6.4 mm |
| | 2 | 321528200017-0-2 | Guide sleeve |

| $\frac{\text{STUD}}{\text{STUD}}$ | No. | Item no. | Designation |
|-----------------------------------|-----|-------------------|------------------------------|
| | | 321825200278-0-1 | SET from position 1, 2 and 3 |
| ≤4,7 | 1 | 321528000067-01-1 | Retention nose piece 7.8 mm |
| | 2 | 321528200017-0-2 | Guide sleeve |

RIVDOM® eBZ SF

Battery-powered setting tool for blind rivets



Rivdom eBZ SF



Rivdom eBZ SF

The **SPECIALIST** for special solutions

Special applications call for special solutions. Together with our customers, we have developed a perfect setting tool solution for such fasteners.

This comprises our Rivdom eBZ SF as the basis for clamping mechanisms from other suppliers.

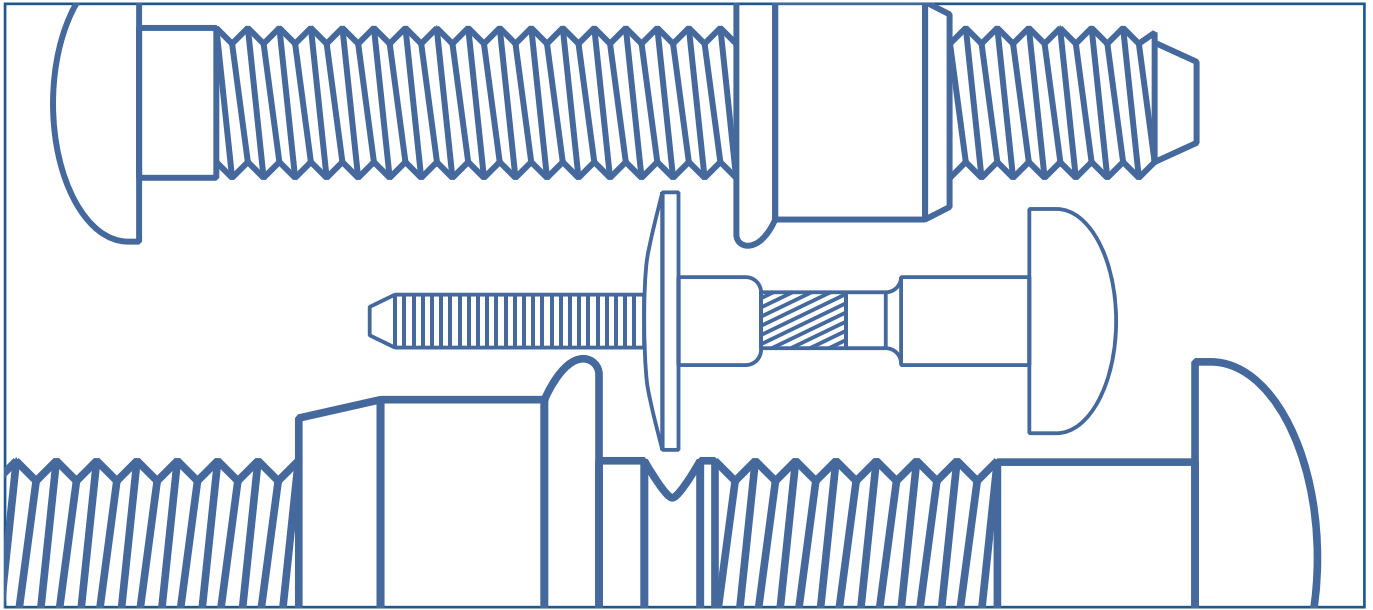
The fastener/clamping mechanism system can thus be combined with high-performance HONSEL setting tools and HONSEL service.

Among other things, this has resulted in adapters for HUCK® clamping mechanisms.

Processing of Lockbolts

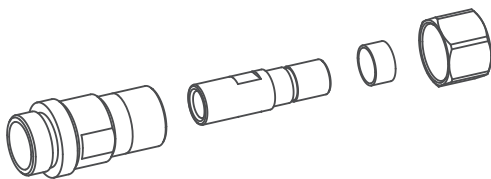
Lockbolts are two-part fasteners for use in components that are accessible from both sides and are characterised by particularly high tensile and preload forces and very large clamping ranges and meet the highest requirements for vibration resistance.

The Rivdom eBZ SF is perfectly suited to the setting of selected fasteners.



Scope of supply

- 1x Rivdom eBZ SF battery riveter with brushless motor in HONSEL L-Boxx® incl. adapter with GAGE BILT clamping mechanisms of GAGE BILT Inc.
- 2x 20 V/2.0 Ah Li ion battery with visual state-of-charge indicator
- 1x Rivdom-PLUS quick-charger
- 1x stud collector "L"
- 1x each belt clip, hanger bracket and cover cap



| Item no. | Ersatzteil |
|--------------------|---|
| 320520001248-020-1 | Rivdom eBZ SF with clamping mechanism suitable for 4.8 mm MagnaGrip® from HUCK International Inc. |
| 320520001264-020-1 | Rivdom eBZ SF with clamping mechanism suitable for 6.4 mm MagnaGrip® from HUCK International Inc. |
| 320520001348-020-1 | Rivdom eBZ SF with clamping mechanism suitable for 4.8 mm C6L® / C120L® from Howmet Aerospace Inc. |
| 320520001364-020-1 | Rivdom eBZ SF with clamping mechanism suitable for 6.4 mm C6L® / C120L® from Howmet Aerospace Inc. |
| 320520001195-020-1 | Rivdom eBZ SF with clamping mechanism suitable for 9.8 mm Huck-tainer® from HUCK International Inc. |
| 320520000000-020-1 | Rivdom eBZ SF for adapters/clamping mechanisms from the original manufacturer |

Accessories

| | |
|--------------|--|
| 321500000021 | Li-Ion RivdomPLUS battery 20 V/2.0 Ah |
| 321500000022 | Li-Ion RivdomPLUS battery 20 V/4.0 Ah |
| 321500000001 | Universal quick charger 200 V (12 V/16 V/20 V) |
| 321500000003 | Multiple charging station |
| 321500000004 | Adapter multiple charging station for 1 x RivdomPLUS battery |

| | |
|--------------|---------------------------------|
| 321300100031 | Mandrel container L (8.0 cm) |
| 321401000030 | Mandrel container L+ (8.0 cm) |
| 321501000030 | Mandrel container XL+ (11.0 cm) |
| 321401000029 | Hanger |
| 321200000006 | Belt clip |
| 321200000005 | Name plate |
| 321401000004 | Cover cap |

Family facts on the HONSEL battery riveters on ► page 36.



RIVDOM® ONE

Battery-powered setting tool for blind rivets



RivdomONE

The popular **basic model**
Inexpensive. Reliable. Proven.

RivdomONE continues to impress.

Indispensable for the work of many users today, the RivdomONE is equipped with many of the features of the HONSEL eBZ family, such as high-quality Li ion rechargeable batteries with **RivdomPLUS charging technology**, the flexible **L-Boxx System** and a **powerful motor**. The outstanding ergonomics and an extremely short trigger stroke allow quick and comfortable working.

Scope of supply

- 1x RivdomONE battery riveter in HONSEL L-Boxx®
- 16 V/2.0 Ah Li ion battery with optical state-of-charge indicator (number depending on variant)
- 1x Rivdom-PLUS quick-charger
- 4x standard nose pieces in box
- 1x stud collector "L"
- 1x each belt clip, hanger bracket and cover cap



| | |
|--------------------|-------------------------------------|
| 320401000000-010-1 | RivdomONE - 1x battery 16V (2.0 Ah) |
| 320401000000-020-1 | RivdomONE - 2x battery 16V (2.0 Ah) |



ALL IN ONE. THE VARIO Nose piece

For quick and easy changing between the diameters 2.4 mm, completely without tools (special accessory)!

321300100071

Vario nose piece complete for blind rivets 2.4 - 5.0 mm

| | | | |
|--|---|--|--|
| Weight 1,800 g 1,510 g without battery | 10,000 N Setting force | 21 mm Stroke | For blind rivets up to 5.0 mm diameter |
| Optional 1 for 4 Vario nose piece | > 800 Fasteners per 2.0 Ah battery charge | 210 mm Length without mandrel container | 22 minutes Charging time for 90 % charge Fully charged < 30 min- utes |

RivdomONE

Working range

| 2,4 | 3,0 | 3,2 | 4,0 | 4,8 | 5,0 | 6,0 | 6,4 | 8,0 |
|-----------------|-----|-----|-----|-----|-----|----------|-----|-----|
| Aluminium | | | | | | optional | | |
| Steel | | | | | | | | |
| Stainless steel | | | | | | | | |
| Kupfer | | | | | | | | |

max. 3.4 mm



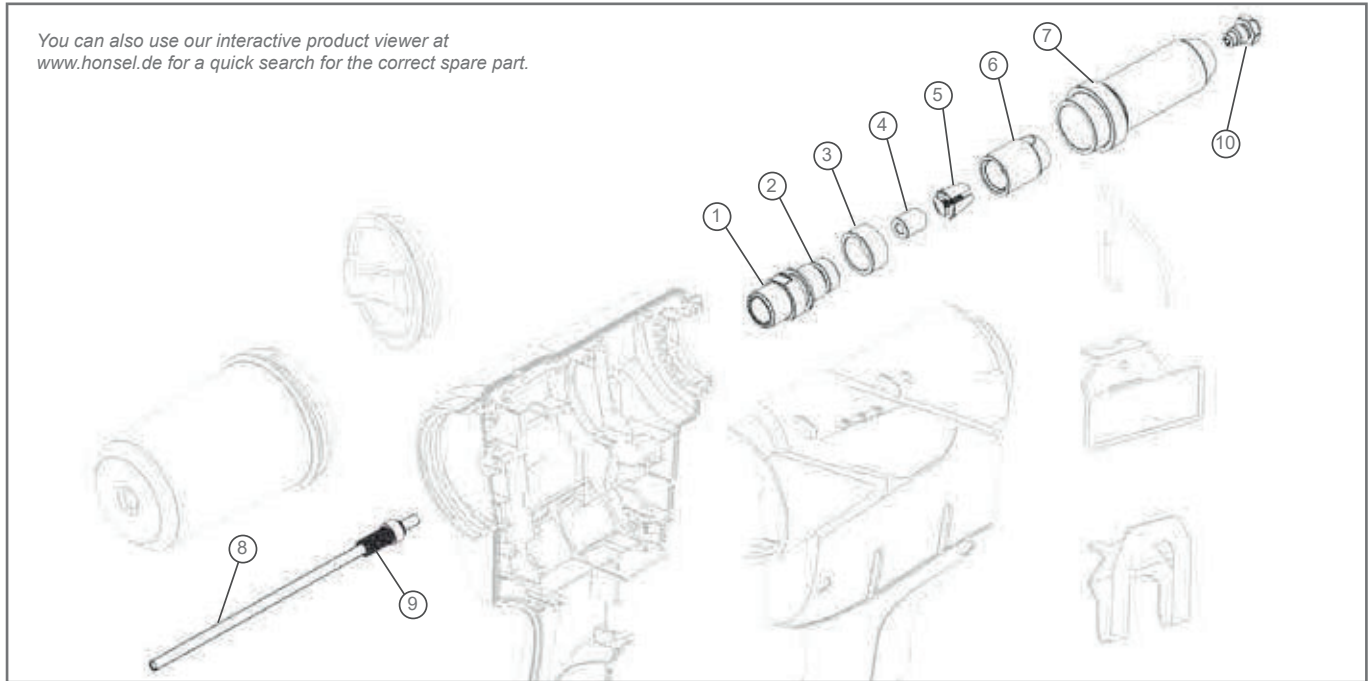
Family facts on the HONSEL battery riveters on ► page 36.



RIVDOM® ONE

Accessories and spare parts

You can also use our interactive product viewer at www.honsel.de for a quick search for the correct spare part.



Spare and wear parts

| | | |
|---|--------------|--|
| 1 | 321300100054 | Spacer |
| 2 | 321200000010 | O-Ring 14 x 1,0 |
| 3 | 321300100069 | Extension sleeve |
| 4 | 321300100017 | Guide sleeve < 3.2 (standard) |
| 5 | 321020000006 | Clamping jaws (1 set = 3 pcs.) |
| 6 | 321300100016 | Clamping sleeve |
| 7 | 321300100015 | Front sleeve incl. O-Ring |
| 8 | 321300100049 | Mandrel discharge tube with O-ring (various Ø) |
| 9 | 321300100021 | Pressure spring |

Standard nose pieces

| | | |
|-----|--------------|--------------------------------|
| 10A | 321070000240 | Standard nose piece 2.4 mm |
| 10B | 321085000123 | Standard nose piece 3.0/3.2 mm |
| 10C | 321085000124 | Standard nose piece 4.0 mm |
| 10D | 321085000125 | Standard nose piece 4.8/5.0 mm |

Accessories

| | |
|--------------|--|
| 321401000021 | Li-Ion RivdomPLUS battery 16 V/2.0 Ah |
| 321401000022 | Li-Ion RivdomPLUS battery 16 V/4.0 Ah |
| 321500000001 | Universal quick charger 200 V (12 V/16 V/20 V) |
| 321500000003 | Multiple charging station |
| 321500000004 | Adapter multiple charging station for 1 x RivdomPLUS battery |

| | |
|--------------|---------------------------------|
| 321200000031 | Mandrel container S (5.5 cm) |
| 321300100031 | Mandrel container L (8.0 cm) |
| 321401000030 | Mandrel container L+ (8.0 cm) |
| 321501000030 | Mandrel container XL+ (11.0 cm) |
| 321401000029 | Hanger |
| 321200000006 | Belt clip |
| 321200000005 | Name plate |
| 321401000004 | Cover cap |

Special nose pieces

For recessed riveting points

Extended nose pieces 7.0 mm



| | |
|--------------|---------------------------------------|
| 321103932070 | Extended nose piece (7 mm) 3.0/3.2 mm |
| 321103940075 | Extended nose piece (7,5 mm) 4.0 mm |
| 321103950070 | Extended nose piece (7 mm) 4.8/5.0 mm |



Extended nose pieces 20.0 mm

| | |
|--------------|--|
| 321103932200 | Extended nose piece (20 mm) 4.8/5.0 mm |
| 321103940200 | Extended nose piece (20 mm) 4.0 mm |
| 321103950200 | Extended nose piece (20 mm) 4.8/5.0 mm |

i Special nose pieces for specific customer applications can be produced at short notice.

For 5.0 mm large dome head blind rivets



| | |
|--------------|---|
| 321085000511 | Façade nose piece 4.8/5.0 mm head 11.0 mm |
| 321085000514 | Façade nose piece 4.8/5.0 mm head 14.0 mm |
| 321085000516 | Façade nose piece 4.8/5.0 mm head 16.0 mm |



For 4.8 mm FEROM BOLT high-strength blind rivets



| | |
|--------------|---|
| 321101008401 | Nose piece FEROM-BOLT blind rivets 4.8 mm |
|--------------|---|



For 5.2 mm folding blind rivets



| | |
|--------------|--|
| 321103716052 | Nose piece for folding blind rivets 5.2 mm |
|--------------|--|



Extended front sleeves

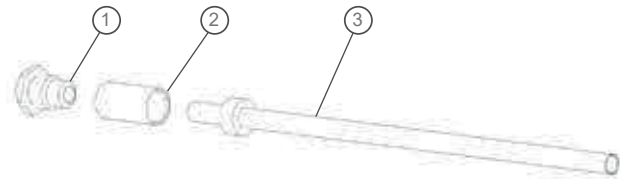


For particularly recessed riveting points. Setting of standard blind rivets.

| | Item no. | Designation |
|--|------------------|---|
| | 321300100072-0-1 | Extended Front sleeve (165 mm) or blind rivets up to 4 mm |

Retention nose pieces

To ensure optimum riveting with HONSEL retention nose pieces, we recommend the use of the guide sleeves and stud discharge tubes matching the respective STUD DIAMETER ().



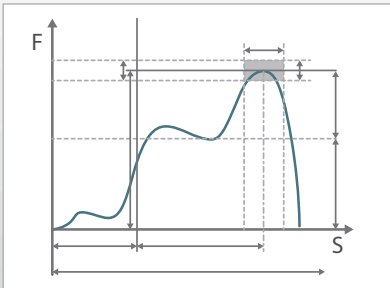
| | No. | Item no. | Designation |
|------|-----|--------------------|------------------------------------|
| ≤1,7 | | 321300100224-0-1 | SET from position 1, 2 and 3 |
| | 1 | 321401000132-01-1 | Retention nose piece 2.4/3.2 mm |
| | 2 | 321300100017-001-4 | Guide sleeve |
| | 3 | 321300100049-04-1 | Mandrel discharge tube with O-ring |

| | No. | Item no. | Designation |
|------|-----|--------------------|------------------------------------|
| ≤2,7 | | 321300100240-0-1 | SET from position 1, 2 and 3 |
| | 1 | 321401000136-01-1 | Retention nose piece 4.0 mm |
| | 2 | 321300100017-001-2 | Guide sleeve |
| | 3 | 321300100049-02-1 | Mandrel discharge tube with O-ring |

| | No. | Item no. | Designation |
|------|-----|--------------------|------------------------------------|
| ≤2,2 | | 321300100232-0-1 | SET from position 1, 2 and 3 |
| | 1 | 321401000134-01-1 | Retention nose piece 3.0/3.2 mm |
| | 2 | 321300100017-001-3 | Guide sleeve |
| | 3 | 321300100049-03-1 | Mandrel discharge tube with O-ring |

| | No. | Item no. | Designation |
|------|-----|--------------------|------------------------------------|
| ≤3,2 | | 321300100250-0-1 | SET from position 1, 2 and 3 |
| | 1 | 321401000138-01-1 | Retention nose piece 4.8/5.0 mm |
| | 2 | 321300100017-001-1 | Guide sleeve |
| | 3 | 321300100049-01-1 | Mandrel discharge tube with O-ring |

| | Item no. | Designation |
|--|-------------------|---|
| | 321101008401-01-1 | Retention nose piece FEROM-BOLT blind rivets 4.8/5.0 mm |



Documented process monitoring

RivSmart is equipped with the **DMSD-lite process monitoring system** even in the standard version. Serious errors can already be detected here and the number of set fasteners counted.

Documentation takes the form of a process stamp containing information such as tool number, time stamp, number, error codes, and various counting functions in text format in separate process windows.



RivSmart eBZ ZERO S

- OLED display (1.5") with 5 buttons
- Management of several devices
- Wifi connectivity with radio frequencies 2.4 and 5* GHz
- Individual interface programming possible

* DMSD 2G



Compact dimensions

Thanks to the removable transparent stud collector, the tool can be further shortened for **unrivalled ease of handling** for even the most confined installation points. In combination with the very low **weight of only 1.3 kg**, it is unrivalled when it comes to comfortable working!

Rivsmart eBZ ZERO S

Small. Light. Smart.

Rivdom is smart. RivSmart.

Very small, very light and in touch with the world. With RivSmart you can now take the first step towards blind rivet processing of tomorrow – on the basis of decades of experience in the development of high-quality riveting tools and customised riveting automation technology.

RivSmart can be easily integrated into our production processes, and with its documentation capabilities helps to optimise and monitor production.



NEW: Control via PC app possible.

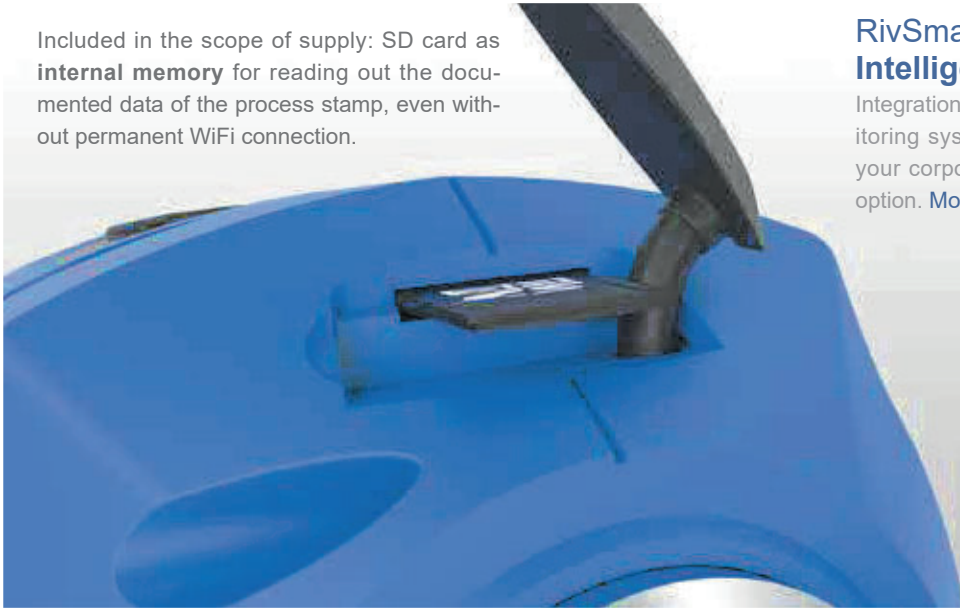
Scope of supply

- 1x RivSmart eBZ ZERO S battery riveter with brushless motor
- 1x **HONSEL L-Boxx®**
- 12 V/2.0 Ah Li ion battery with visual state-of-charge indicator (number depending on variant)
- 1x Rivdom-PLUS quick-charger
- 4x standard nose pieces in box
- 1x stud collector "S"
- 1x each belt clip, hanger bracket and cover cap

| | |
|--------------------|---|
| 320200000000-010-1 | RivSmart eBZ ZERO S - 1x battery 12V (2,0 Ah) |
| 320200000000-020-1 | RivSmart eBZ ZERO S - 2x battery 12V (2,0 Ah) |



Included in the scope of supply: SD card as **internal memory** for reading out the documented data of the process stamp, even without permanent WiFi connection.



RivSmart can do more.
Intelligent controller

Integration of the latest **DMSD 2G** process monitoring system with PLC interface directly into your corporate network is also possible as an option. More information on ►Seite 200

Rivsmart DMSD2G

- Service functions: Information on clamping jaw change, service intervals, emptying of stud collector, job counter, live statistics
- Many basic functions: Countdown, various counters, statistics, signal tones

| | | | |
|--|--|---|--|
| Weight 1,300 g 1,100 g without battery | 6,800 N Setting force | 20 mm Stroke | For blind rivets up to 4.0 mm diameter |
| > 100 Standard and special accessories immediately available from stock | > 1,000 Fasteners per 2.0 Ah battery charge | 195 mm Length without mandrel container | 22 minutes Charging time for 90 % charge Fully charged < 30 minutes |

RivSmart eBZ ZERO S

Working range

| | 2,0 | 2,4 | 3,0 | 3,2 | 4,0 | 4,8 | 5,0 | 6,0 | 6,4 |
|----------|-----------------|-----|-----|-----|-----|----------|-----|-----|-----|
| optional | Aluminium | | | | | optional | | | |
| optional | Steel | | | | | | | | |
| optional | Stainless steel | | | | | * | | | |
| optional | Copper alloys | | | | | | | | |

max. 3.4 mm * with original HONSEL ALFO® FLEX



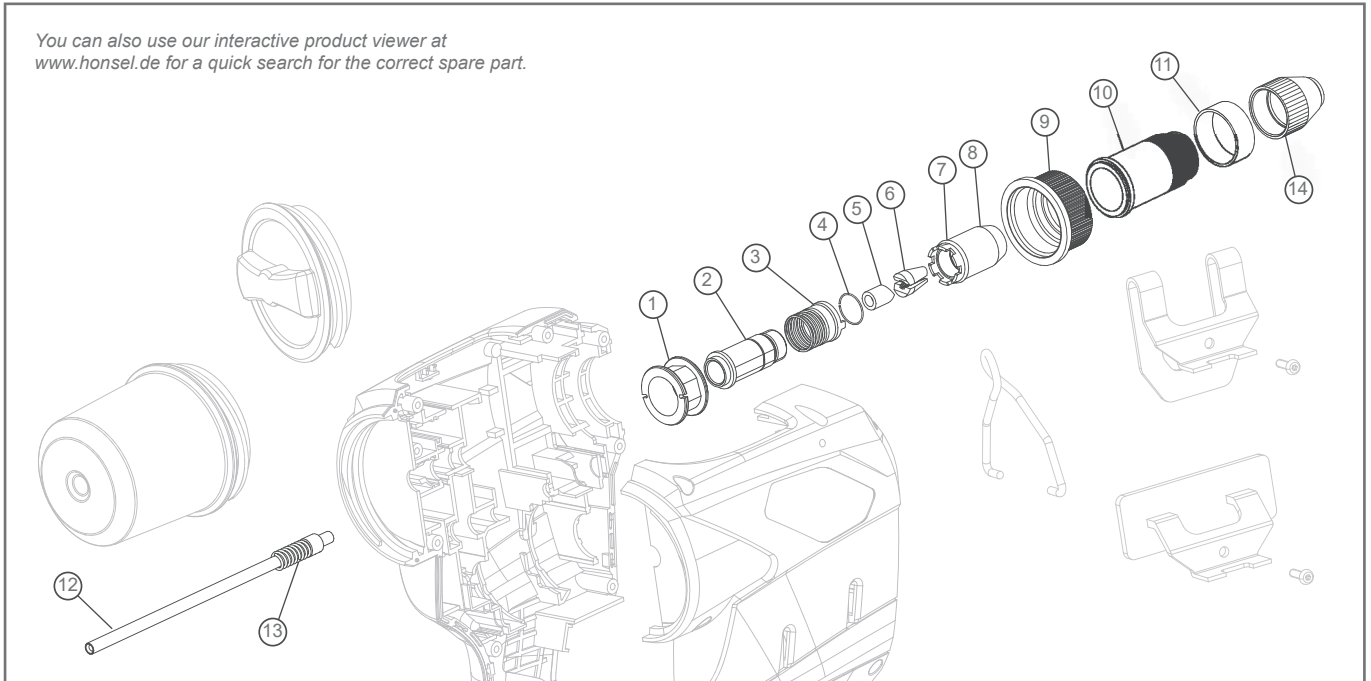
Family facts on the HONSEL battery riveters on ► page 36.



RIVSMART® eBZ ZERO S

Accessories and spare parts

You can also use our interactive product viewer at www.honsel.de for a quick search for the correct spare part.



Spare and wear parts

| | | |
|----|-------------|---|
| 1 | 32120000020 | Dummy-Sensorring |
| 2 | 32120000054 | Spacer |
| 3 | 32120000055 | Quick release ring + spring |
| 4 | 32120000056 | Quick release c-ring |
| 5 | 32120000017 | Guide sleeve < 3.2 (standard) |
| 6 | 31100200132 | Clamping jaws (1 set = 2 pcs.) |
| 7 | 32120000010 | O-Ring 14 x 1,0 |
| 8 | 32120000016 | Clamping sleeve |
| 9 | 32120000018 | Union ring (silver) |
| 10 | 32120000015 | Front sleeve incl. O-Ring |
| 11 | 32120000019 | O-Ring 14 x 1,0 |
| 12 | 32120000049 | Mandrel discharge tube < 3.2 (standard) |
| 13 | 32120000014 | Pressure spring |

Standard nose pieces

| | | |
|-----|-------------|--------------------------------|
| 14A | 32120000121 | Standard nose piece 2.0 mm |
| 14B | 32120000122 | Standard nose piece 2.4 mm |
| 14C | 32120000123 | Standard nose piece 3.0/3.2 mm |
| 14D | 32120000124 | Standard nose piece 4.0 mm |

Accessories

| | |
|-------------|--|
| 32120000021 | Li-Ion RivdomPLUS battery 12V/2,0Ah |
| 32120000022 | Li-Ion RivdomPLUS battery 12V/4,0Ah |
| 32150000001 | Universal quick charger 200 V (12 V/16 V/20 V) |
| 32150000003 | Multiple charging station |
| 32150000004 | Adapter multiple charging station for 1 x RivdomPLUS battery |

| | |
|--------------|---------------------------------|
| 32120000031 | Mandrel container S (5.5 cm) |
| 321300100031 | Mandrel container L (8.0 cm) |
| 321401000030 | Mandrel container L+ (8.0 cm) |
| 321501000030 | Mandrel container XL+ (11.0 cm) |
| 32120000018 | Union ring (blue) |
| 32120000018 | Union ring (gold) |
| 32120000018 | Union ring (red) |
| 32120000018 | Union ring (black) |
| 32120000029 | Hanger |
| 32120000006 | Belt clip |
| 32120000005 | Name plate |
| 32140100004 | Cover cap |

Special nose pieces

For recessed riveting points

Suitable for e.g. OPTO® multigrip blind rivet with extended mandrel.



Extended nose pieces 7.0 mm

| | |
|--------------|---------------------------------------|
| 321200932070 | Extended nose piece (7 mm) 3.0/3.2 mm |
| 321200940070 | Extended nose piece (7 mm) 4.0 mm |



Extended nose pieces 20.0 mm

| | |
|--------------|--|
| 321200932200 | Extended nose piece (20 mm) 3.0/3.2 mm |
| 321200940200 | Extended nose piece (20 mm) 4.0 mm |

For 4.0 mm large dome head blind rivets



| | |
|--------------|--------------------------------|
| 321200000416 | Facade nose piece head 16.0 mm |
| 321200000424 | Facade nose piece head 24.0 mm |

i Special nose pieces for specific customer applications can be produced at short notice.


Extended front sleeves

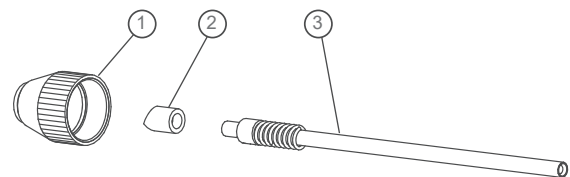


For particularly recessed riveting points. Setting of standard blind rivets.

| Icon | Item no. | Designation |
|------|------------------|---|
| | 321200000072-0-1 | 1x Extension piece 80 mm without mandrel discharge tube |
| ≤1,7 | 321200000072-1-4 | 1x Extension piece 80 mm and mandrel discharge tube |
| ≤2,2 | 321200000072-1-3 | 1x Extension piece 80 mm and mandrel discharge tube |
| ≤2,7 | 321200000072-1-2 | 1x Extension piece 80 mm and mandrel discharge tube |
| ≤1,7 | 321200000072-2-4 | 2x Extension piece 80 mm and mandrel discharge tube |
| ≤2,2 | 321200000072-2-3 | 2x Extension piece 80 mm and mandrel discharge tube |
| ≤2,7 | 321200000072-2-2 | 2x Extension piece 80 mm and mandrel discharge tube |

Retention nose pieces

To ensure optimum riveting with HONSEL retention nose pieces, we recommend the use of the guide sleeves and stud discharge tubes matching the respective STUD DIAMETER ().



| Icon | No. | Item no. | Designation |
|------|-----|------------------|---------------------------------|
| | | 321120000224-0-1 | SET from position 1, 2 and 3 |
| ≤1,7 | 1 | 321200000132-1-1 | Retention nose piece 2.4/3.2 mm |
| | 2 | 321200000017-0-4 | Guide sleeve |
| | 3 | 321200000049-0-4 | Mandrel discharge tube |

| Icon | No. | Item no. | Designation |
|------|-----|------------------|------------------------------|
| | | 321120000240-0-1 | SET from position 1, 2 and 3 |
| ≤2,7 | 1 | 321200000136-1-1 | Retention nose piece 4.0 mm |
| | 2 | 321200000017-0-2 | Guide sleeve |
| | 3 | 321200000049-0-2 | Mandrel discharge tube |

| Icon | No. | Item no. | Designation |
|------|-----|------------------|---------------------------------|
| | | 321120000232-0-1 | SET from position 1, 2 and 3 |
| ≤2,2 | 1 | 321200000134-1-1 | Retention nose piece 3.0/3.2 mm |
| | 2 | 321200000017-0-3 | Guide sleeve |
| | 3 | 321200000049-0-3 | Mandrel discharge tube |

Extended retention nose pieces 7.0 mm

| Item no. | Designation |
|------------------|---|
| 321200924070-1-1 | Extended retention nose piece (7 mm) 2.4 mm |
| 321200932070-1-1 | Extended retention nose piece (7 mm) 3.0/3.2 mm |
| 321200940070-1-1 | Extended retention nose piece (7 mm) 4.0 mm |

* Order matching guide sleeve and stud discharge tube at the same time (please refer to the tables opposite)

RIVDOM® eVNG 2

Battery-powered setting tool for blind rivet nuts and studs



Rivdom eVNG 2



Now with AMPShare power for professionals. AMPShare is the shared battery system that allows you to use a wide range of tools from several professional brands with just one battery – thanks to the leading battery technology of Bosch Professional.



Compatible since 2008 – more than 80 million batteries!
All Bosch Professional 18V/AMPShare Systems batteries can be used with new and existing Bosch Professional tools and, in future, also in all AmpShare alliance tools of the same voltage class.

Rivdom eVNG 2

Gripping. Uncompromising.

The new HONSEL battery riveter now offers the ultimate solution for cordless setting of blind rivet nuts and bolts. Oriented to the demands of industrial series production, Rivdom eVNG 2 offers a wide range of useful features and options.

- Force and stroke controlled - all in one device
- Spindling of the nut/studs via threaded mandrel push or trigger
- Application-oriented adjustment of spindle speeds and spindle times to achieve the shortest cycle time through our patented two-motor technology
- 20 mm stroke - for long folding and multi-range blind rivet nuts
- Automatic adjustment of tool length and tool-free tool change and maintenance

Scope of supply

- 1x Rivdom eVNG 2 battery riveter
 - 5x blind rivet nut conversion kit
 - 1x each belt clip, hanger bracket and cover cap
- Versions according to the table below:
- AMPShare 18V 2.0 Ah GBA Li ion battery
 - AMPShare GAL 18V-40 quick-charger
 - Delivery in HONSEL L-Boxx® or carton

| Item no. | eVNG 2 | Battery | Charger | L-Boxx | Carton |
|--------------------|--------|---------|---------|--------|--------|
| 320621000000-010-1 | x | 1x | x | x | |
| 320621000000-020-1 | x | 2x | x | x | |
| 320621000000-099-1 | x | | | x | |
| 320621000000-199-1 | x | | | | x |



Rivdom eVNG 2

| | | | |
|--|---|--------------------------------|--|
| Weight 2,400 g 1,995 g without battery | 24,000 N Setting force | 20 mm Stroke | For blind rivet nuts M3-M12 |
| 99 Memory slots | For blind rivet studs M4-M8 | 2 BLDC motors | 24 minutes Charging time for 80 % charge Fully charged in 35 minutes (2.0 Ah) |

Working range

| M3 | M4 | M5 | M6 | M8 | M10 | M12 |
|----------|-----------------|----|----|----|-----|----------|
| optional | Aluminium | | | | | optional |
| optional | Steel | | | | | optional |
| optional | Stainless steel | | | | | optional |



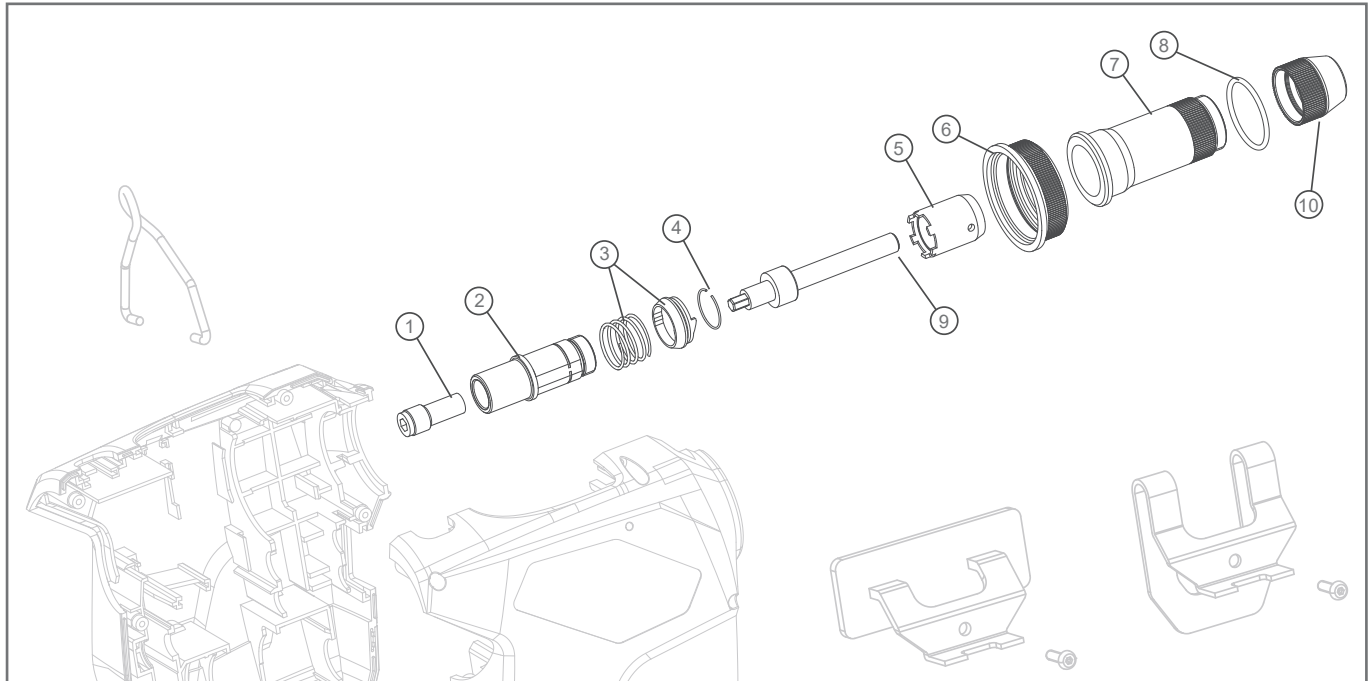
| M3 | M4 | M5 | M6 | M8 | M10 | M12 |
|----|----------------|----|----|----|-----|-----|
| | Steel optional | | | | | |

Screwing on/screwing off variable

Family facts on the HONSEL battery riveters on ► page 36.



Innovative 2-motor technology



Rivdom eVNG 2

Spare and wear parts

| | | |
|---|--------------|-----------------------------|
| 1 | 321620000053 | Pull spindle adapter |
| 2 | 321620000054 | Spacer |
| 3 | 321620000055 | Quick release ring + spring |
| 4 | 321620000056 | Quick release c-ring |
| 5 | 321620000016 | Clamping sleeve |
| 6 | 321620000018 | Union ring (silver) |
| 7 | 321620000015 | Front sleeve incl. O-Ring |
| 8 | 321620000019 | O-Ring 27 x 2.0 |

Nose pieces

| | | |
|-----|--------------|----------------|
| 10A | 321620001203 | Nose piece M3 |
| 10B | 321620001204 | Nose piece M4 |
| 10C | 321620001205 | Nose piece M5 |
| 10D | 321620001206 | Nose piece M6 |
| 10E | 321620001208 | Nose piece M8 |
| 10F | 321620001210 | Nose piece M10 |
| 10G | 321620001212 | Nose piece M12 |

Threaded mandrels / sleeves

| | | |
|----|--------------|-------------|
| 9A | 321620001003 | Mandrel M3 |
| 9B | 321620001004 | Mandrel M4 |
| 9C | 321620001005 | Mandrel M5 |
| 9D | 321620001006 | Mandrel M6 |
| 9E | 321620001008 | Mandrel M8 |
| 9F | 321620001010 | Mandrel M10 |
| 9G | 321620001012 | Mandrel M12 |

| | | |
|--|--------------|--------------------|
| | 321620001104 | Threaded sleeve M4 |
| | 321620001105 | Threaded sleeve M5 |
| | 321620001106 | Threaded sleeve M6 |
| | 321620001108 | Threaded sleeve M8 |

Special accessories. Quite normal for us.

We can tailor our tools individually to your application to reduce costs and optimise the setting result using appropriate accessories. A selection of special nose pieces and threaded mandrels available from stock for the eVNG 2 can be found on the right-hand side – please contact us for more.

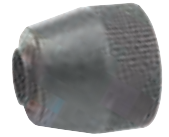
Accessories

| | |
|--------------|--|
| 321500000010 | AMPShare Starter Set (2x2.0Ah, 1 AMPShare quick charger) - EU |
| 321500000011 | AMPShare Starter Set (1x2.0Ah, 1x4.0Ah, 1 AMPShare quick charger) - EU |
| 321500000012 | AMPShare Starter Set (2x4.0Ah, 1 AMPShare quick charger) - EU |
| 321500000005 | AMPShare quick charger GAL 18V-40 (EU) |
| 321500000024 | AMPShare 18V 2,0 AH GBA Li-Ion battery (EU) |
| 321500000025 | AMPShare 18V 4,0 AH ProCore Li-Ion battery (EU) |

| | |
|--------------|--------------------|
| 321620000018 | Union ring (blue) |
| 321620000018 | Union ring (goöd) |
| 321620000018 | Union ring (red) |
| 321620000018 | Union ring (black) |
| 321200000029 | Hanger |
| 321200000006 | Belt clip |
| 321200000005 | Name plate |

Special nose pieces for HEADLESS blind rivet nuts

| | |
|--------------|----------------------------------|
| 321620004206 | Nose piece M6 HEADLESS (eVNG 2) |
| 321620004208 | Nose piece M8 HEADLESS (eVNG 2) |
| 321620004210 | Nose piece M10 HEADLESS (eVNG 2) |



Extended nose pieces for dome head

| | |
|--------------|--|
| 321620080503 | Extended nose piece M3 (5 mm) 7.0 mm |
| 321620080504 | Extended nose piece M4 (5 mm) 8.0 mm |
| 321620080505 | Extended nose piece M5 (5 mm) 9.0 mm |
| 321620080506 | Extended nose piece M6 (5 mm) 11.0 mm |
| 321620080508 | Extended nose piece M8 (5 mm) 13.0 mm |
| 321620080510 | Extended nose piece M10 (5 mm) 15.0 mm |
| 321620080512 | Extended nose piece M12 (5 mm) 19.0 mm |

Extended nose pieces for countersunk head

| | |
|--------------|--|
| 321620080503 | Extended nose piece M3 (5 mm) 7.0 mm |
| 321620080504 | Extended nose piece M4 (5 mm) 10.0 mm |
| 321620080505 | Extended nose piece M5 (5 mm) 11.0 mm |
| 321620080506 | Extended nose piece M6 (5 mm) 13.0 mm |
| 321620080508 | Extended nose piece M8 (5 mm) 16.0 mm |
| 321620080510 | Extended nose piece M10 (5 mm) 19.0 mm |
| 321620080512 | Extended nose piece M12 (5 mm) 19.0 mm |



Extended threaded mandrels (for folding blind rivet nuts)

| | |
|--------------|---|
| 321620905406 | Extended Mandrel M6 (54 mm) with insertion chamfer |
| 321620906008 | Extended Mandrel M8 (60 mm) with insertion chamfer |
| 321620906610 | Extended Mandrel M10 (66 mm) with insertion chamfer |



Threaded mandrels with left-hand thread

| | |
|--------------|---|
| 321620002208 | Mandrel M8 with left-hand thread and insertion chamfer |
| 321620002210 | Mandrel M10 with left-hand thread and insertion chamfer |
| 321620002212 | Mandrel M12 with left-hand thread and insertion chamfer |

UNC threaded mandrels

| | |
|--------------|---------------------|
| 321620080004 | Mandrel UNC 4-40 |
| 321620080006 | Mandrel UNC 6-32 |
| 321620080008 | Mandrel UNC 8-32 |
| 321620081009 | Mandrel UNC 10-24 |
| 321620080014 | Mandrel UNC 1/4-20 |
| 321620080038 | Mandrel UNC 3/8-16 |
| 321620080516 | Mandrel UNC 5/16-18 |

UNF threaded mandrels

| | |
|--------------|---------------------|
| 321620080010 | Mandrel UNF 10-32 |
| 321620080140 | Mandrel UNF 1/4-28 |
| 321620080716 | Mandrel UNF 7/16-20 |

i Always use the next larger metric standard nose piece.



Flexible and mobile setting of self-clinching elements?

Talk to us – we can offer you solutions here, too.